



safety & lifting

FOR SAFE  
WORKING LIVES

6

## HEIGHT SAFETY



CATALOGUE **VOL1**









# HEIGHT SAFETY

# 6

Be Safe.. Think



OUR RANGE OF HEIGHT SAFETY, FALL PROTECTION AND RESCUE EQUIPMENT ENABLES SUPERIOR PERFORMANCE and unparalleled safety in elevated and confined space conditions, including work positioning, work restraint, vertical rescue, confined space entry, rope access, rescue, fall arrest, and emergency response.

KITS	10-13
HARNESSES	14-27
LANYARDS	28-37
INERTIA REELS	38-40
RESCUE	42-47
ANCHORS	48-51
HARDWARE	52-59
ACCESSORIES	60-65

# HEIGHT SAFETY

AT BUNZL SAFETY & LIFTING WE ONLY PROVIDE THE BEST AND MOST ADVANCED HEIGHT SAFETY AND FALL PROTECTION PRODUCTS ON THE MARKET.

ALL PRODUCTS ARE TESTED AND LABELED ACCORDING TO AUSTRALIAN STANDARDS AND ARE SUPPLIED WITH THE NECESSARY INSTRUCTIONS FOR THEIR CORRECT USE.

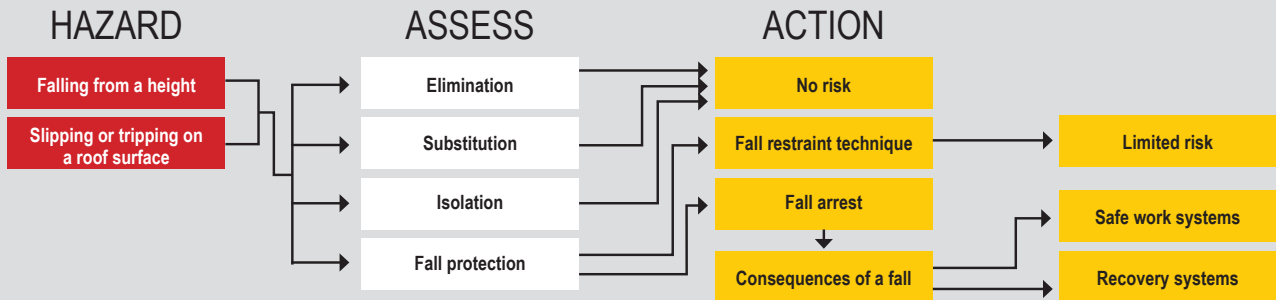
It is important that users of height safety equipment are competent when working at height and have appropriate training in the products used. All products are supplied with technical user manuals and these must be referred to prior to the equipment being used. These manuals cover all necessary safe use requirements and are regarded as the manufacturer's instructions for use.



## RISK ASSESSMENT PROCEDURES

Risk assessments should be conducted prior to any work at height or confined space work being carried out to identify hazards that exist and the risks they pose.

AS/NZS 1891.4:2009 contains a hierarchy of control which provides an ideal platform for development of risk assessments. below is a sample risk assessment procedure for working at height.



Reference to local authorities is also recommended This table is only an example, with many other factors to be considered. Other hazards may include, but are not limited to: Nature of the work, surface materials, fragile roofing material, personal training levels, competency, weather conditions, surface conditions, etc. Reference should be made to AS/NZS 1891.4:2009 for the correct use, selection and maintenance criteria for height safety systems.

It is recommended that wherever possible a "restraint technique" system is used. This is a system where a person using fall arrest rated equipment, is prevented from reaching a position from where a fall is possible.

Relevant Australian/New Zealand standards listed below are recommended for further reading:  
 AS/NZS 1891.1 Personal Equipment For Work At Height - Part 1 - Manufacturing Requirements For Full Body Combination And Lower Body Harnesses. This is a manufacturing standard which specifies requirements for materials, design, manufacturing and testing of harnesses. Testing utilises 100kg mass – users of greater mass should consult manufacturer.

- AS/NZS 1891.2 Personal Equipment For Work At Height - Part 2 - Horizontal Lifeline And Rail Systems.
- AS 1891.3 Personal Equipment For Work At Height - Part 3 - Manufacturing Requirements For Fall-Arrest Device.
- AS/NZS 1891.4 Industrial Fall-Arrest Systems And Devices - Part 4 - Selection, Use And Maintenance.
- AS 1891.5 Personal Equipment For Work At Height - Part 5 - Manufacturing Requirements For Lanyard Assemblies And Pole Straps.

These standards are to be used as a guide to form safe work procedures but they are not all inclusive.



# GENERAL PRINCIPLES OF SAFELY WORKING AT HEIGHTS

WORK SITES TODAY POSE HAZARDS THAT CAN CAUSE SERIOUS HARM.

The obligation to end each day safely is everyone's responsibility; employers and employees. An awareness of the hazards at workplaces allows them to be safely addressed.

This principle has been used in many very high risk occupations for some time, and the benefits have been rewarding with a noticeable reduction in accident statistics. A risk assessment and hazard reduction program should be used by all working at height. Identification of the hazards is key to working safely – avoiding injury or death.

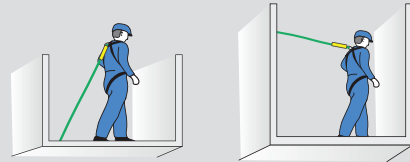


# GENERAL TERMINOLOGY

USED IN FALL PREVENTION

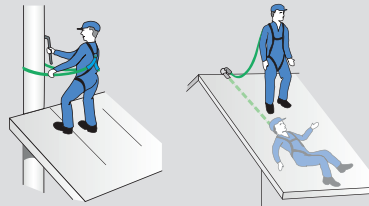
## RESTRAINT TECHNIQUE

Control of a person's movement by means of a combination of harness and shock absorbing lanyard connected to an anchor point that will physically prevent the person from reaching a position at which there is a risk of a free fall.



## RESTRAINED FALL / RESTRAINED FALL-ARREST

A fall or the arrest of a fall where the person suffering the fall is partially restrained by a restraining device such as a pole strap under tension, or is sliding down a slope on which it is normally possible to walk without the assistance of a handrail or hand line.



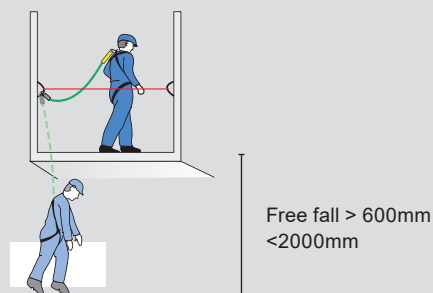
## LIMITED FREE FALL

A fall or the arrest of a fall where the free fall distance prior to the system taking the load does not exceed 600mm.



## FREE FALL ARREST

A fall or the arrest of a fall where the fall distance prior to the fall arrest system taking any load exceeds 600mm, either vertically or on a slope on which it is not possible to walk without assistance of a handrail or hand line. The maximum free fall distance permitted with a shock absorbing lanyard is 2m. (Refer notes on fall clearances).





# FALL ARREST CONSIDERATIONS

IN ALL CASES, WHEN WORKING AT HEIGHT USING FALL ARREST EQUIPMENT IT IS ESSENTIAL THAT THERE BE ADEQUATE CLEARANCE UNDER THE AREA OF WORK, SO THAT IN THE EVENT OF A FALL THE USER WILL NOT STRIKE THE GROUND OR ANY OTHER HAZARDOUS OBJECTS.

If it is assessed that the occurrence of a fall would endanger the user then other fall protection systems must be considered. This may include the use of shorter shock absorbing lanyards, retracting lanyards, relocating the anchor point or adjustable lanyards. In each case the fall clearance must be identified and the hazards associated with fall clearance eliminated.

The benefits of reducing free fall distances are multiple. If the free fall distance is reduced, then the load on the system and the person are reduced. Also the recovery method may be simplified and time may be significantly reduced.

Whenever possible, the attachment point for a fall arrest system should be located above the attachment point on the users harness. When this is not possible the shock absorbing lanyard length must be reduced to ensure that the maximum fall distance of the user is limited to 2m (Consult AS/NZS 1891.4 cl 8.1). A user should never climb above the attachment point using a fall arrest shock absorbing lanyard as this only adds to the free fall distance which may take it over the permitted 2m.

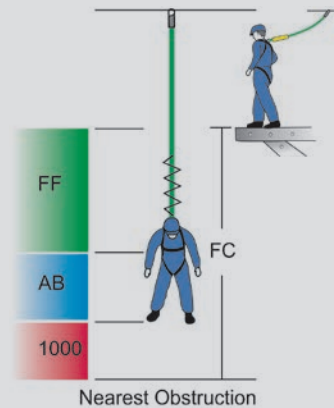


## SHOCK ABSORBING LANYARDS / INERTIA REELS – FALL CLEARANCES

### FALL CLEARANCES FOR SHOCK ABSORBING LANYARDS

FC	=	Foot Clearance
FC	=	FF + AB + 1000
FF	=	Free Fall (Maximum Allowed 2000mm Before Activation) Add 250mm For Harness Slippage.
AB	=	Shock Absorber Extension AS/NZS 1891.4 Advises that this can be Estimated using FF Which Reduces FC accordingly.
FF	AB	
600mm	300mm	
1000mm	500mm	
1500mm	600mm	
2000mm	900mm	

1000mm Standard Safety Clearance Figure.

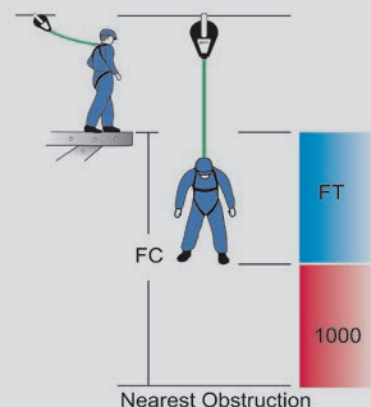


### FALL CLEARANCES FOR INERTIA REELS

FC	=	FT + 1000
FC	=	Foot Clearance
FT	=	Fall Total (Free Fall, Activation and Declaration to be 1.4M max) Add 250mm Harness slippage.

AS/NZS 1891.4:2009 advises that this can be estimated at 700mm + stretch and slide.

1000mm standard safety clearance figure.





# TRAINING SERVICES

TOGETHER WITH OUR SUPPLY PARTNERS, WE OFFER NATIONALLY RECOGNISED COMPETENCY-BASED TRAINING COURSES IN HEIGHT SAFETY AND FALL PREVENTION.

Courses such as the basic use and maintenance of height safety systems, fall arrest training, confined space and rescue techniques, and the use of breathing apparatus, can be provided at some of our branches or at your site, providing you meet minimum attendance numbers required.

Some of the popular accredited courses offered include:

- » Height Safety Operator
- » Working Safely at Heights (WSAH) - Including Rescue
- » Height Safety Refresher
- » Enter Confined Space
- » Confined Space Non-Entry (Rescue Techniques)

Bunzl Safety & Lifting can also offer hands-on product training and tool-box style talks through our B-Safe mobile demonstration trailer on a periodic basis by request. These demonstration trailers are fitted with drop test and force measuring instruments to demonstrate arresting forces that workers would experience during a fall.

This training consists of comprehensive user product demonstrations to educate users on height safety and fall prevention processes and equipment. Product demonstrations include fitting a harness, selection of equipment, user inspections and a rescue demonstration based on the 5 basic competency elements of height safety:

- Body Harnesses
- Shock Absorbing Lanyards
- Anchors
- Fall Rescue
- Education

For further information and advice on any of the above training options, please contact your local Bunzl Safety & Lifting representative.





# HARNESSES FITTING INSTRUCTIONS

## BEFORE USING THE B-SAFE HARNESSES, USERS SHOULD DO A PRE-INSPECTION OF THE HARNESSES

Including webbing, metal fittings, connection points and labels should be checked for damage. Refer to your B-Safe instruction booklet and, if in any doubt, contact your supervisor, supplier or B-Safe for advice. The date of entry into service should be recorded in the instruction booklet provided.

### STEP 1

Hold the harness by the rear dorsal connection D-ring and gently shake the harness to untangle the straps. Ensure the leg straps are free and not buckled up. Ensure all straps are fully extended. Whilst holding the harness by the dorsal D-ring, carry out a pre-use inspection of the components, webbing, stitching and buckles. Check labeling to identify the withdrawal-from-service date has not passed.



### STEP 2

Hold the harness with the dorsal D-ring facing away from you, place the shoulder straps of the harness over your hands (as shown) and hold the harness open.



### STEP 3

Rotate harness and insert elbow into arm loop and then place arm through the loop, release shoulder strap and place other arm through the other shoulder loop and let harness fall onto the shoulders. Ensure the harness is fitted correctly without any webbing twists over the shoulders.



### STEP 4

Buckle all straps prior to adjusting the fit. Locate chest strap and pass the smaller buckle plate through the other chest strap buckle (as shown in the "How to assemble buckles" diagrams). Hold buckle and pull webbing to tighten straps to a firm and comfortable fit and slide keepers along the leg strap webbing to hold free webbing.



### STEP 5

Locate the leg straps and ensure the left leg strap is connected to the left hip buckle and the right leg strap is connected to the right hip buckle. Ensure the straps are not twisted and the loose webbing end is always on the outside, away from the body. Hold buckle and pull webbing to tighten straps to a firm and comfortable fit and slide keepers along the leg strap webbing to hold free webbing.



### STEP 6

Adjust shoulder straps first to ensure that the rear dorsal D-ring is located between the shoulder blades in the centre of the back. Then adjust chest and leg straps to a firm fit, and slide webbing keepers along to hold free webbing in place. When using the front attachment points, both loops must be connected as per AS/NZS 1891.1.









# HARNESSES KITS



## TRADIE ROOFERS KIT

### FEATURES AND BENEFITS

- Compact kit in sturdy backpack for easy transportation and storage
- Full body all-purpose roofers harness with front & rear attachment points
- Designed to suit most roofing applications

### KIT COMPONENTS

- BH01120TRAD - Fall Arrest Harness
- BS010115TRAD - Rope Safety Line - 15m Kernmantle Rope with eye on one end and fitted with manual rope adjuster with built in energy absorber
- BP03101.5 - 1.5m Webbed Attachment Strap - rated for 1 Person
- BSK0003-16 - 2 x Alloy Steel Twist Lock Karabiners
- B-Safe Tradie Backpack

### STANDARDS

AS 1891.5:2020 certified product (Lanyard). AS/NZS 1891.1:2020 (Harness). ANSI Z359.12-2009 (Karabiner). Batch tested & visually inspected. All raw materials conform to relevant standards.

CODE	CAPACITY	STOCK
BK061215TRAD	140kg	<span style="color: green;">S</span>

## PROFESSIONAL ROOFERS KIT

### FEATURES AND BENEFITS

- Compact kit in sturdy backpack for easy transportation and storage
- Full body all-purpose roofers harness with front & rear attachment points
- Designed to suit most roofing applications
- Adjustable shock absorbing lanyard is rated to 50kg - 140kg to protect lower & upper user mass
- Includes suspension trauma straps

### KIT COMPONENTS

- BH01120 - Fall Arrest Harness
- BS010115A - 15m Kernmantle Rope Safety Line - with Snap Hook & Manual Rope Adjuster
- BP03102 - 2m Webbed Attachment Strap - rated for 1 Person
- BL01112PRO-ADJ - 2m Heavy Duty Adjustable Shock Absorbing Lanyard with Snap Hooks
- BSK0003-16 - Alloy Steel Twist Lock Karabiner
- BA00024 - Suspension Trauma Straps
- B-Safe Backpack

### STANDARDS

AS 1891.5:2020 certified product (Lanyard). AS/NZS 1891.1:2020 (Harness). ANSI Z359.12-2009 (Karabiner). Batch tested & visually inspected. All raw materials conform to relevant standards.

CODE	CAPACITY	STOCK
BK061015PRO	140kg	<span style="color: green;">S</span>





## CONSTRUCTION KIT

### FEATURES AND BENEFITS

- Compact kit in sturdy bag for easy transportation, storage & use on construction sites
- Ease of use, ensuring that workers comply with construction site requirements
- Full body fall arrest harness with front and rear attachment points
- Manulink for quick and easy connection to anchor point

### KIT COMPONENTS

- BH01120 - Fall Arrest Harness
- BL01112HD - 2m Shock Absorbing Lanyard
- BFK08 - 140mm Manulink
- BA0351 - Sturdy B-Safe Bag
- BA00040 - Stowage Point B-Safe

### STANDARDS

AS 1891.5:2020 certified product (Lanyard). AS/NZS 1891.1:2020 (Harness). ANSI Z359.12-2009 (Karabiner). Batch tested & visually inspected. All raw materials conform to relevant standards.

CODE	CAPACITY	STOCK
BK072000	140kg	<span style="background-color: orange; color: white; padding: 2px;">M</span>



## WELDERS KIT

### FEATURES AND BENEFITS

- Kit specifically designed for hot works environments
- Easily assembled components
- Simple system for occasional use
- All in one kit, no further components required
- Suitable for welders

### KIT COMPONENTS

- BA0351 - Bag
- BH01120K-QB - Harness
- BL01662kHD - Shock Absorbing Lanyard
- BSK0003-16 - Karabiner
- BFK08 - 140mm Manulink

### STANDARDS

AS 1891.5:2020 certified product (Lanyard). AS/NZS 1891.1:2020 (Harness). ANSI Z359.12-2009 (Karabiner). Batch tested & visually inspected. All raw materials conform to relevant standards.

CODE	CAPACITY	STOCK
BK080009	140kg	<span style="background-color: orange; color: white; padding: 2px;">M</span>



## ELECTRICAL WORKERS KIT

### FEATURES AND BENEFITS

- Compact kit in sturdy bag for easy transportation & storage
- Kit designed for tower, pole & electrical work
- Full body tower workers harness with back support for positioning & QB quick release buckles
- Contains 2.5m pole strap

### KIT COMPONENTS

- BH05200-QB - Tower Workers Harness
- BL05332.5 - Retracting Lanyard
- BP02112.5 - Pole Strap
- BP03102 - Attachment Strap
- BA0580 - B-Safe Large Gear Bag

### STANDARDS

AS 1891.5:2020 certified product (Pole strap). AS/NZS 1891.1:2020 (Harness). ANSI Z359.12-2009 (Karabiner). AS1891.3:2020 (SRL). Batch tested & visually inspected. All raw materials conform to relevant standards.

CODE	CAPACITY	STOCK
BK073000	100kg	<span style="background-color: orange; color: white; padding: 2px;">M</span>



## ELEVATED WORK PLATFORM KIT

### FEATURES AND BENEFITS

- Designed for all operators/users of Elevated Work Platforms (EWPs) such as scissor lifts, boom lifts & forklift safety cages
- All purpose full body harness
- Self retracting lanyard with built in shock absorber

### KIT COMPONENTS

- BMIC02-130AT - Retractable Lanyard Arresto
- BH01120 - Harness
- BSK0002TC-16 - Karabiner Steel Triple Action
- BA0351 - B-Safe Bag

### STANDARDS

AS 1891.3:2020 certified product (SRL). AS/NZS 1891.1:2020 (Harness). ANSI Z359.12-2009 (Karabiner). Batch tested & visually inspected. All raw materials conform to relevant standards.

CODE	CAPACITY	STOCK
BK080010	100kg	<span style="background-color: orange; color: white; padding: 2px;">M</span>



# HARNESS KITS



## MINERS KIT

### FEATURES AND BENEFITS

- Miners specialty kit
- Reflective harness suitable for miners
- Adjustable lanyards suited for short & long applications
- Included triple action karabiners for anchoring & attachment hardware

### KIT COMPONENTS

- BH02030R-QB - Harness with reflective tape
- BL02402A - Adjustable Rope Lanyard
- BSK002TC-16 - 2 x Karabiner
- BP03001.5 - Tie Off Adaptor
- BL07662HD - Shock Absorbing Lanyard
- BA0351 - Sturdy B-Safe Bag

### STANDARDS

All components 100% visually inspected. Harness complies to AS/NZS1891.1. All raw materials conform to safety standards. D-Rings and buckles are batch tested to destruction.

CODE	CAPACITY	STOCK
BK08012	50kg - 140kg	M



## ROOFERS COMPLIANCE KIT

### FEATURES AND BENEFITS

- Complete fall protection kit
- Contains Pro Climbing Harness suited to rigging, rescue, construction, elevated work platforms & access work
- Medium Pro™ Climbing Harness
- Heavy duty backpack storage bag

### KIT COMPONENTS

- CS 2 G-AUS-0902 - Safety Harness
- AUS-0750-15 - Safety Line 15m
- LOOP 26 kN L-0008-1 - Anchor Strap
- L-AUS-0005 - Shock Pack
- HARNESS BACKPACK PROTON
- OVALSTEEL SC H-037 Karabiner

### STANDARDS

All components 100% visually inspected. Harness complies to AS/NZS1891.1. All raw materials conform to safety standards. D-Rings and buckles are batch tested to destruction.

CODE	CAPACITY	STOCK
SKSET-AUS0006	1 Person	S



## CONSTRUCTION WORKERS KIT

### FEATURES AND BENEFITS

- Complete construction workers fall protection system
- Convenient solution to ensure compliance
- Ideal for the first time or occasional user of height safety equipment
- Handy durable kit storage

### KIT COMPONENTS

- 380M-0018 - Delta All Purpose Harness
- 3101000 - Talon 2.4m Retractable Lanyard
- Z90203636 - 2m Shock Absorbing Lanyard
- E849-015 - 1.5m Tie Off Adaptor
- Equipment Bag

### STANDARDS

All components 100% visually inspected. Harness complies to AS/NZS1891.1. All raw materials conform to safety standards. D-Rings and buckles are batch tested to destruction.

CODE	CAPACITY	STOCK
3M19000004	136kg	S



## CONSTRUCTION WORKERS KIT

### FEATURES AND BENEFITS

- Complete construction workers fall protection system
- Contains Pro Climbing Harness suited to rigging, rescue, construction, elevated work platforms & access work
- Medium Pro™ Climbing Harness
- Heavy duty backpack storage bag

### KIT COMPONENTS

- AB11343 - Medium Pro™ Climbing Harness
- 3100447 - 3.3m Rebel™ Personal Self Retracting Lifeline
- AM450/150AU - 1.5m Round Anchor Strap
- AKO66AU-BKP - Heavy duty backpack storage

### STANDARDS

All components 100% visually inspected. Harness complies to AS/NZS1891.1. All raw materials conform to safety standards. D-Rings and buckles are batch tested to destruction.

CODE	CAPACITY	STOCK
3MAA410AU	136kg	S







# FALL ARREST HARNESSSES



## ALL PURPOSE HARNESS

### FEATURES AND BENEFITS

- Lightweight & comfortable
- Rear D-ring & front attachment loops above
- Shoulder adjuster
- Fully adjustable

### STANDARDS

AS/NZS 1891.1:2020 Certified Product. 100% visually inspected and batch tested. All raw materials conform to relevant safety standards.

CODE	SIZE	STOCK
BH01120	M	S

Other sizes available to order.



## ALL PURPOSE HARNESS WITH CENTRE CHEST STRAP

### FEATURES AND BENEFITS

- Lightweight & comfortable
- Rear D-ring & front attachment loops above
- Shoulder adjuster
- Fully adjustable
- Centre chest strap design

### STANDARDS

AS/NZS 1891.1:2020 Certified Product. 100% visually inspected and batch tested. All raw materials conform to relevant safety standards.

CODE	SIZE	STOCK
BH01115	M	M

Other sizes available to order.



## ALL PURPOSE HARNESS WITH FRONT D-RING RESCUE

### FEATURES AND BENEFITS

- Lightweight & comfortable
- Rear D-ring & front attachment loops above
- Shoulder adjuster
- Fully adjustable
- Front D-ring rescue

### STANDARDS

AS/NZS 1891.1:2020 Certified Product. 100% visually inspected and batch tested. All raw materials conform to relevant safety standards.

CODE	SIZE	STOCK
BH01116	M	M

Other sizes available to order.



## ALL PURPOSE HARNESS WITH WAIST STRAP

### FEATURES AND BENEFITS

- Lightweight & comfortable
- Rear D-ring & front attachment points
- Fully adjustable leg & shoulder straps
- Side D-rings for pole strap

### STANDARDS

AS/NZS 1891.1:2020 Certified Product. 100% visually inspected and batch tested. All raw materials conform to relevant safety standards.

CODE	SIZE	STOCK
BH01121	M	S

Other sizes available to order.

# FALL ARREST HARNESSSES



## ALL PURPOSE HARNESS WITH EXTENSION D-RING

### FEATURES AND BENEFITS

- Lightweight & comfortable
- Rear D-ring & front attachment loops above shoulder adjuster
- Fully adjustable
- Front D-ring rescue
- Rear extension D-ring

### STANDARDS

AS/NZS 1891.1:2020 Certified Product. 100% visually inspected and batch tested. All raw materials conform to relevant safety standards.

CODE	SIZE	STOCK
BH01124	Unisize	<span style="background-color: green; color: white; padding: 2px;">S</span>



## ALL PURPOSE HARNESS WITH WIRE ROPE LANYARD

### FEATURES AND BENEFITS

- Lightweight & comfortable
- Comes with 2m PVC coated wire shock absorbing
- Lanyard permanently attached to rear D-ring
- Fully adjustable leg & shoulder straps
- Front fall arrest loops

### STANDARDS

AS/NZS 1891.1:2020 Certified Product. 100% visually inspected and batch tested. All raw materials conform to relevant safety standards.

CODE	SIZE	STOCK
BH01132	M	<span style="background-color: green; color: white; padding: 2px;">S</span>

Other sizes available to order.



## ALL PURPOSE HARNESS WITH WEB LANYARD & WAIST STRAP

### FEATURES AND BENEFITS

- Lightweight & comfortable
- 2m web shock absorbing lanyard permanently attached to the rear D-ring
- Fully adjustable leg, shoulder, chest & waist straps
- Side D-rings for pole strap
- Front fall arrest loops

### STANDARDS

AS/NZS 1891.1:2020 Certified Product. 100% visually inspected and batch tested. All raw materials conform to relevant safety standards.

CODE	SIZE	STOCK
BH01112	M	<span style="background-color: green; color: white; padding: 2px;">S</span>

Other sizes available to order.



## ALL PURPOSE HARNESS WITH WEB LANYARD

### FEATURES AND BENEFITS

- Lightweight & comfortable
- Front attachment loops
- 2m web shock absorbing lanyard permanently attached to the rear D-ring
- Fully adjustable leg, shoulder & chest straps

### STANDARDS

AS/NZS 1891.1:2020 Certified Product. 100% visually inspected and batch tested. All raw materials conform to relevant safety standards.

CODE	SIZE	STOCK
BH01151	M	<span style="background-color: green; color: white; padding: 2px;">S</span>

Other sizes available to order.

HEIGHT SAFETY

FALL ARREST HARNESSSES



# FALL ARREST HARNESSSES



## ALL PURPOSE CROSSOVER HARNESS

### FEATURES AND BENEFITS

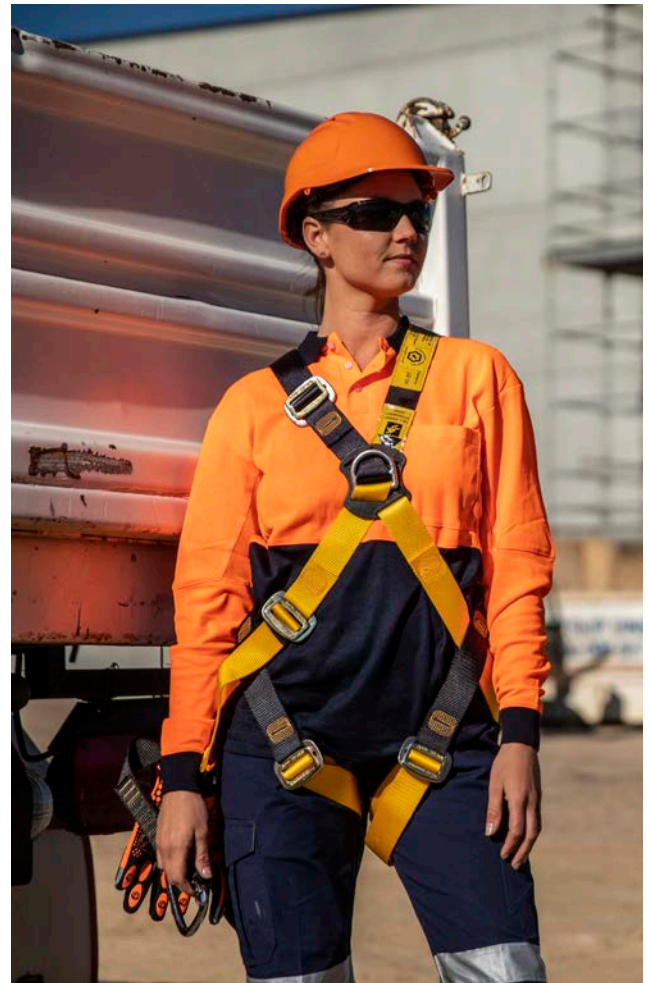
- Lightweight & comfortable
- Front attachment loops
- Unique cross over design for superior comfort
- Fully adjustable leg, shoulder & chest straps

### STANDARDS

AS/NZS 1891.1:2020 Certified Product. 100% visually inspected and batch tested  
All raw materials conform to relevant safety standards.

CODE	SIZE	STOCK
BH01118	M	S

Other sizes available to order.



## CS 2 ALL PURPOSE FALL ARREST HARNESS

### FEATURES AND BENEFITS

- Features male & female connectors
- Leg adjuster straps
- Rear steel D-ring
- 2 x fall arrest web loops at the chest
- Elasticised click connect chest strap

### STANDARDS

AS/NZS 1891.1

CODE	SIZE	STOCK
SSKYL-GAUS0902CX	Unisize	S



## IGNITE ION FALL ARREST HARNESS

### FEATURES AND BENEFITS

- Easy to don & adjust
- Alloy rear dorsal attachment point
- Large webbing fall arrest loop (chest)
- Adjustment confined space loops

### STANDARDS

AS/NZS 1891.1

CODE	SIZE	STOCK
G-AUS-1135-M/XXL	M - XXL	S

Other sizes available to order.

HEIGHT SAFETY

FALL ARREST HARNESSSES

6



## P50 FIRST FALL ARREST HARNESS

### FEATURES AND BENEFITS

- Rear fall arrest rated D-ring
- Pass-thru buckles on chest & leg straps
- Polyester web construction
- Easy adjust torso buckle
- Front fall arrest / belay loops
- Bonus harness storage bag

STANDARDS  
AS/NZS 1891.1

CODE	SIZE	STOCK
3M-1390061A	M	S

Other sizes available to order.



## EXO FIT NEX™ FALL ARREST HARNESS

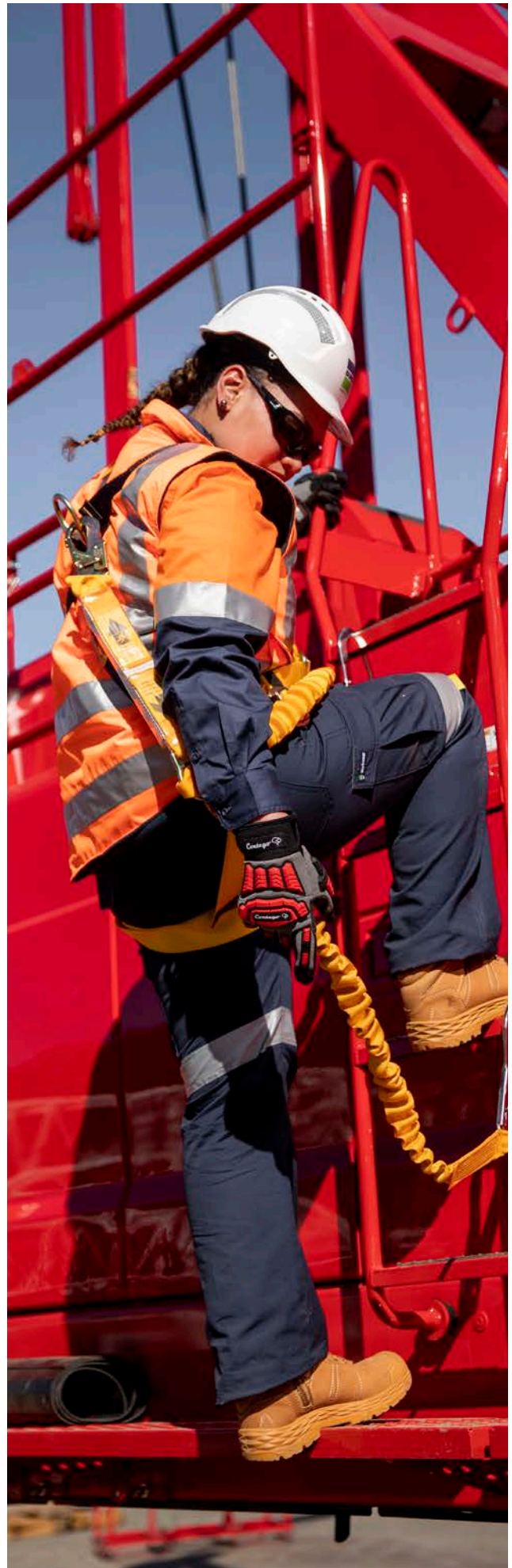
### FEATURES AND BENEFITS

- Non-slip hybrid comfort padding
- Large rear Tech-Lite™ aluminium D-ring
- Repel™ technology webbing
- Built-in lanyard keepers
- Revolver™ vertical torso adjusters
- Impact indicator

STANDARDS  
AS/NZS 1891.1

CODE	SIZE	STOCK
D9311200	M	S

Other sizes available to order.





# CONFINED SPACE HARNESSSES



## SWIFT QB CONFINED SPACE HARNESS

### FEATURES AND BENEFITS

- Extension strap - Compact design with fall indicator (when using dorsal extension maximum shock absorbing lanyard, length should be 1.6m)
- Included suspension trauma straps
- Zinc plated mild steel 2 bar 3 bar buckles to shoulders
- Efficient high capacity (25kN) quick connect buckles to chest & legs
- Colour fast webbing
- Labelling fully protected by clear PVC

### STANDARDS

AS/NZS 1891.1:2020 Certified Product. 100% visually inspected and batch tested. All raw materials conform to relevant safety standards.

CODE	SIZE	STOCK
BH02020-QB	M	<span style="background-color: green; color: white;">S</span>

Other sizes available to order.



## EVOLVE CONFINED SPACE HARNESS

### FEATURES AND BENEFITS

- Comfort padding on soft twill, water repellent webbing
- Heavy duty aluminium hardware
- Fully adjustable posilock front D-ring
- Fully adjustable leg & shoulder straps

### STANDARDS

AS/NZS 1891.1:2020 Certified Product. 100% visually inspected and batch tested. All raw materials conform to relevant safety standards.

CODE	SIZE	STOCK
BH02020QB-EVOLVE	M	<span style="background-color: green; color: white;">S</span>

Other sizes available to order.



## EVOLVE CONFINED SPACE DIELECTRIC HARNESS

### FEATURES AND BENEFITS

- Comfort padding on soft twill, water repellent webbing
- 9kV dielectric resistant hardware
- Fully adjustable posilock front D-ring
- Adjustable leg & shoulder straps

### STANDARDS

AS/NZS 1891.1:2020 Certified Product. 100% visually inspected and batch tested. All raw materials conform to relevant safety standards.

CODE	SIZE	STOCK
BH02020DE-EVOLVE	M	<span style="background-color: orange; color: white;">M</span>



HEIGHT SAFETY

CONFINED SPACE HARNESSSES

6



## DELTA CONFINED SPACE HARNESS

### FEATURES AND BENEFITS

- No-tangle design
- Front fall arrest rated D-ring
- Quick connect buckles on chest, waist & leg straps
- Large rear fall arrest rated stand-up D-ring
- Impact indicator
- Bonus harness storage bag

STANDARDS  
AS/NZS 1891.1

CODE	SIZE	STOCK
823M0018	M	S

Other sizes available to order.



## EXOFIT NEX™ CONFINED SPACE HARNESS

### FEATURES AND BENEFITS

- Non-slip hybrid comfort padding on shoulders, back, legs & hip
- Large fall arrest rated front Tech-Lite™ aluminium D-ring
- Waist belt with large side Tech-Lite™ aluminium D-rings
- Wide padded lower back / hip pad
- Duo-Lok™ quick connect buckles on chest, waist & leg straps
- Repel™ technology webbing

STANDARDS  
AS/NZS 1891.1

CODE	SIZE	STOCK
623M2018	M	S

Other sizes available to order.



# UTILITIES HARNESSSES



## EVOLVE POLE WORK HARNESS

### FEATURES AND BENEFITS

- Comfort padding on soft twill, water repellent webbing
- Heavy duty aluminium hardware
- Fully adjustable posilock front D-ring
- Comfort padded supporting waist belt with side D-rings
- Fully adjustable leg & shoulder straps

**STANDARDS**  
AS/NZS 1891.1:2020 Certified Product. 100% visually inspected and batch tested.  
All raw materials conform to relevant safety standards.

CODE	SIZE	STOCK
BH02030QB-EVOLVE	M	M



## EVOLVE POLE WORK DIELECTRIC HARNESS

### FEATURES AND BENEFITS

- Comfort padding on soft twill, water repellent webbing
- 9kV dielectric resistant hardware
- Fully adjustable posilock front D-ring
- Adjustable leg & shoulder straps

**STANDARDS**  
AS/NZS 1891.1:2020 Certified Product. 100% visually inspected and batch tested.  
All raw materials conform to relevant safety standards.

CODE	SIZE	STOCK
BH02030DE-EVOLVE	M	M



## EVOLVE UTILITIES HARNESS

### FEATURES AND BENEFITS

- Comfort padding on soft twill, water repellent webbing
- Heavy duty aluminium hardware
- Comfort padded supporting waist belt with side D-rings
- Fully adjustable posilock front D-ring
- Functional drop down seat with D-rings
- Fully adjustable leg & shoulder straps

**STANDARDS**  
AS/NZS 1891.1:2020 Certified Product. 100% visually inspected and batch tested.  
All raw materials conform to relevant safety standards.

CODE	SIZE	STOCK
BH04055QB-EVOLVE	M	M

Other sizes available to order.



## EVOLVE UTILITIES DIELECTRIC HARNESS

### FEATURES AND BENEFITS

- Comfort padding on soft twill, water repellent webbing
- 9kV dielectric resistant hardware
- Fully adjustable posilock front D-ring
- Comfort padded supporting waist belt with side D-rings
- Functional drop down seat with D-rings

**STANDARDS**  
AS/NZS 1891.1:2020 Certified Product. 100% visually inspected and batch tested.  
All raw materials conform to relevant safety standards.

CODE	SIZE	STOCK
BH04055DE-EVOLVE	M	M

HEIGHT SAFETY

UTILITIES HARNESSSES



**QUICK RELEASE BUCKLE RANGE**



## SWIFT QB POLE WORKERS HARNESS

### FEATURES AND BENEFITS

- Manufactured from a lightweight, comfortable & durable webbing
- Inclusion of suspension trauma straps
- Anti-slide pin in quick connect buckle reduces webbing creep
- Dorsal extension strap
- Adjustable waist belt fitted with work positioning side D-rings
- Sub-pelvic strap prevents harness peeling off

### STANDARDS

AS/NZS 1891.1:2020 Certified Product. 100% visually inspected and batch tested. All raw materials conform to relevant safety standards.

CODE	SIZE	STOCK
BH02030-QB	M	<span style="background-color: green; color: white;">S</span>

Other sizes available to order.



**QUICK RELEASE BUCKLE RANGE**



## SWIFT QB UTILITIES HARNESS

### FEATURES AND BENEFITS

- Dorsal extension strap
- Drop down seat with side D-rings
- Comfort, support & work positioning
- Efficient high capacity (25kN) quick connect buckles to chest & legs
- Colour fast webbing
- Labelling fully protected by clear PVC

### STANDARDS

AS/NZS 1891.1:2020 Certified Product. 100% visually inspected and batch tested. All raw materials conform to relevant safety standards.

CODE	SIZE	STOCK
BH04055-QB	M	<span style="background-color: orange; color: white;">M</span>

Other sizes available to order.



**QUICK RELEASE BUCKLE RANGE**



## SWIFT QB TOWER WORKER HARNESS

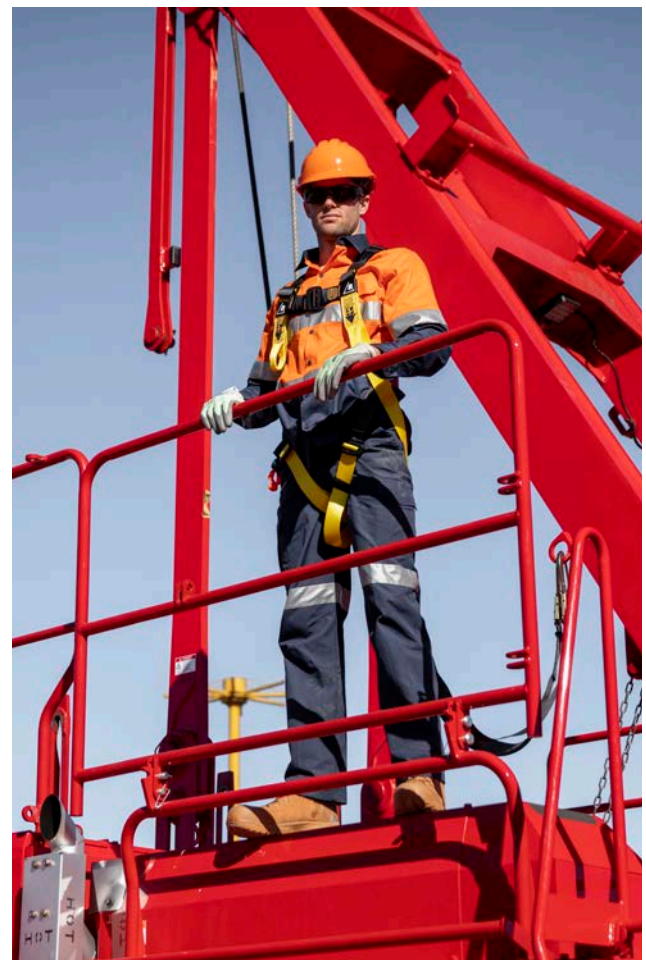
### FEATURES AND BENEFITS

- Padded back support & thigh straps
- Tool loops
- Fall arrest extension strap for ease of connection
- Side D-rings
- Front fall arrest D-rings
- Confined space recovery loops
- Fully adjustable thigh, shoulder, & waist straps
- Fitting instructions available through QR code on harness

### STANDARDS

AS/NZS 1891.1:2020 Certified Product. 100% visually inspected and batch tested. All raw materials conform to relevant safety standards.

CODE	SIZE	STOCK
BH05200-QB	M	<span style="background-color: orange; color: white;">M</span>





# UTILITIES HARNESSSES



## ARG 30 2 POINT HARNESS

### FEATURES AND BENEFITS

- Lightweight
- Self adjusting confined space loops
- Simple donning & removal

STANDARDS  
AS/NZS 1891.1

CODE	SIZE	STOCK
SKG-AUS-0030	Unisize	<b>S</b>



## IGNITE PROTON WIND BODY HARNESS

### FEATURES AND BENEFITS

- Chest eyelet for belay, but also for rescue
- Alloy limited fall arrest attachment point on the centre front of the waist belt
- Alloy dorsal & sternal attachment points
- Adjustable confined space loops

STANDARDS  
AS/NZS 1891.1

CODE	SIZE	STOCK
SKg-1132-WSMXXL	M	<b>S</b>

Other sizes available to order.

HEIGHT SAFETY

UTILITIES HARNESSSES

6





## P50 FIRST CONSTRUCTION HARNESS

### FEATURES AND BENEFITS

- Multiple attachment points
- Front, rear, side D-rings for multiple
- Shoulder retrieval attachment points
- Added comfort
- Waist belt & padded hip / lower back pad work positions

STANDARDS  
AS/NZS 1891.1

CODE	SIZE	STOCK
3M1390062A	M	S



**DROP DOWN WORK POSITIONING SEAT**



## EXOFIT NEX™ TOWER WORKERS HARNESS WITH WORK POSITIONING SEAT

### FEATURES AND BENEFITS

- Non-slip hybrid comfort padding on shoulders, back, legs & hip
- Large rear fall arrest rated stand-up Tech-Lite™ aluminium D-ring
- Large fall arrest rated front Tech-Lite™ aluminium D-ring
- Waist belt with large side Tech-Lite™ aluminium D-rings
- Wide padded lower back / hip pad
- Work positioning seat with tanged pole D-rings
- Duo-Lok™ quick connect buckles on chest, waist & leg straps

STANDARDS  
AS/NZS 1891.1

CODE	SIZE	STOCK
3M653M4016	M	S

Other sizes available to order.



## DBI-SALA® EXOFIT NEX™ WIND ENERGY HARNESS 603M4044 GREY MEDIUM 1 EA/ CASE

### FEATURES AND BENEFITS

- Tech-Lite™ aluminium D-rings
- Lok™ quick connect buckles
- Vertical torso adjusters
- Suspension seat with tangled pole D-rings
- Impact indicator
- REPEL™ technology webbing

STANDARDS  
AS/NZS 1891.1

CODE	SIZE	STOCK
3M603M4044	M	S





# HOT WORKS HARNESSSES



FULL FIRE RESISTANT HARNESSSES



## HOT WORKS ALL PURPOSE HARNESS

### FEATURES AND BENEFITS

- Full fire resistant harness
- Colour fast webbing
- Fully adjustable leg, shoulder & chest straps
- Rear breathable mesh panel
- Clear & protected instructional labelling
- Quick connect buckles

### STANDARDS

AS/NZS 1891.1:2020 Certified Product. 100% visually inspected and batch tested. All raw materials conform to relevant safety standards.

CODE	SIZE	STOCK
BH01120K-QB	M	<span style="background-color: orange; color: white;">M</span>

Other sizes available to order.



FULL FIRE RESISTANT HARNESSSES



## HOT WORKS CONFINED SPACE HARNESS

### FEATURES AND BENEFITS

- Full body harness front & rear fall arrest attachments
- Full fire resistant harness
- Fall indicator, confined space recovery loops suspension trauma
- Dorsal extension
- Quick connect buckles

### STANDARDS

AS/NZS 1891.1:2020 Certified Product. 100% visually inspected and batch tested. All raw materials conform to relevant safety standards.

CODE	SIZE	STOCK
BH02020K-QB	M	<span style="background-color: orange; color: white;">M</span>

Other sizes available to order.

HEIGHT SAFETY



## DELTA WELDERS HOT WORKS HARNESS

### FEATURES AND BENEFITS

- No-tangle design
- Nomex®/ Kevlar® fibre webbing
- Dielectric hardware
- Protected labels, equipped with i-Safe™
- Bonus harness storage bag

STANDARDS  
AS/NZS 1891.1

CODE	SIZE	STOCK
D9311218	M	<span style="background-color: green; color: white;">S</span>

Other sizes available to order.



HOT WORKS HARNESSSES

6



## MINERS BELT WITH ADJUSTABLE BACK PAD

### FEATURES AND BENEFITS

- Front & rear zinc plated attachment points
- Padded back support offering protection to the lumbar region
- PVC impregnated extra long straps for battery & self rescuer
- Lightweight & comfortable
- Anti-slip quick release “clip style” buckling

### STANDARDS

100% visually inspected and batch tested.  
All raw materials conform to relevant safety standards.

CODE	SIZE	STOCK
BM01000	M	S

Other sizes available to order.



## MINERS BELT WITH BACK PAD & SHOULDER STRAPS

### FEATURES AND BENEFITS

- Front & rear zinc plated attachment points
- Padded back support offering protection to the lumbar region
- PVC impregnated extra long straps for battery & self rescuer
- Lightweight & comfortable
- Anti-slip quick release “clip style” buckling
- Shoulder straps

### STANDARDS

100% visually inspected and batch tested.  
All raw materials conform to relevant safety standards.

CODE	SIZE	STOCK
BM02000	M	M

Other sizes available to order.



## MINERS BELT WITH BATTERY STRAPS

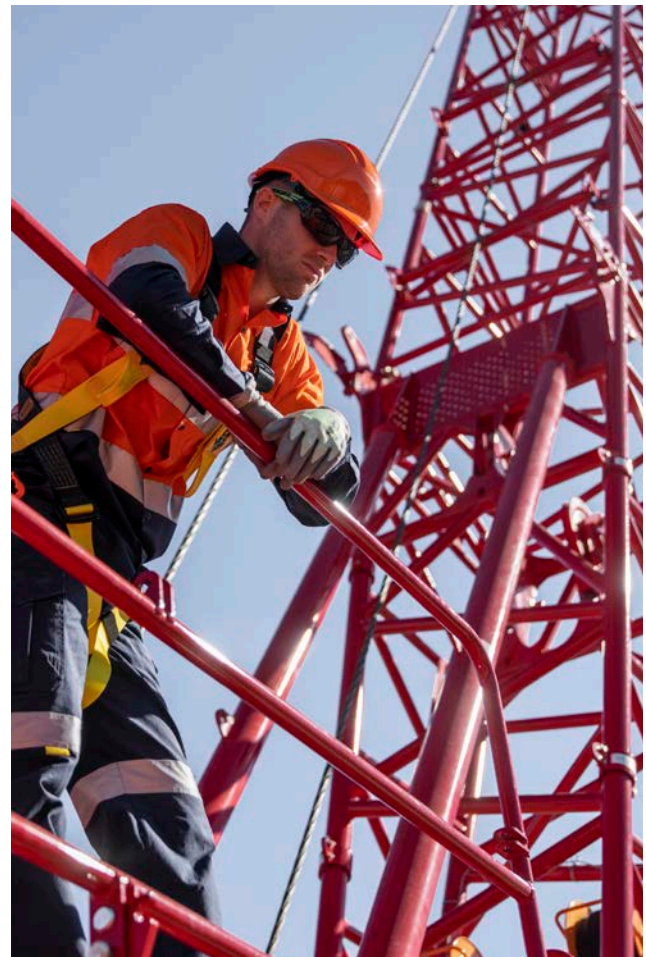
### FEATURES AND BENEFITS

- Front & rear zinc plated attachment points
- Padded back support offering protection to the lumbar region
- PVC impregnated extra long straps for battery & self rescuer
- Lightweight & comfortable
- Anti-slip quick release “clip style” buckling
- Battery straps

### STANDARDS

100% visually inspected and batch tested.  
All raw materials conform to relevant safety standards.

CODE	SIZE	STOCK
BM03000S-M	S / M	M





# MINERS BELTS & HARNESSSES

**3M**



## MINERS BELT

### FEATURES AND BENEFITS

- Adjustable waist belt with snap hook & D-ring closure buckle
- Padded waist pad
- Reflective tape on rear
- Rear restraint / rescue D-ring
- Adjustable battery pack & self rescue straps with velcro

STANDARDS  
N/A

CODE	SIZE	STOCK
3ME100M-0051	M	<b>S</b>

Other sizes available to order.

**3M**



## MINERS BELT WITH SHOULDER STRAPS

### FEATURES AND BENEFITS

- Adjustable waist belt with snap hook & D-ring closure buckle
- Padded waist pad
- Reflective tape on rear
- Rear restraint / rescue D-ring
- Adjustable battery pack & self rescue straps with velcro
- Shoulder straps

STANDARDS  
N/A

CODE	SIZE	STOCK
3ME10083700000M	M	<b>S</b>

Other sizes available to order.

HEIGHT SAFETY

MINERS BELTS & HARNESSSES

6





## SUSPENSION TRAUMA STRAP

### FEATURES AND BENEFITS

- Slip Through loops
- Snap clips
- High strength hooks
- Multi sizing loop keepers
- Easy access zip pouch

STANDARDS  
N/A

CODE	SIZE	STOCK
BA00024	Universal	<span style="background-color: green; color: white; padding: 2px;">S</span>



## LANYARD STOWAGE POINT

### FEATURES AND BENEFITS

- Universal size
- Polyester
- Velcro attachment
- Yellow contrasting for high visibility

STANDARDS  
N/A

CODE	SIZE	STOCK
BA00040	Universal	<span style="background-color: green; color: white; padding: 2px;">S</span>



## BOSUNS CHAIR

### FEATURES AND BENEFITS

- Integral cradle construction
- Multiple tool loops
- Waist tie attached to seat
- Easy to use

STANDARDS  
100% visually inspected and batch tested.  
All raw materials conform to relevant safety standards.

CODE	SIZE	STOCK
BC01000-MK2	Unsize	<span style="background-color: green; color: white; padding: 2px;">S</span>



BA0700



BA0351



BA0580

## BAGS

CODE	DESCRIPTION	SIZE	STOCK
BA0351	Personal Equipment Gear Bag	500mm x 250mm x 250mm	<span style="background-color: green; color: white; padding: 2px;">S</span>
BA0580	Large Equipment Gear Bag	500mm x 300mm x 300mm	<span style="background-color: green; color: white; padding: 2px;">S</span>
BA0700	Drawstring Bag	Can hold up to 50m of 11mm Rope	<span style="background-color: green; color: white; padding: 2px;">S</span>



# LANYARDS



BL0111XXX

BL0112XXX

BL0133XXX

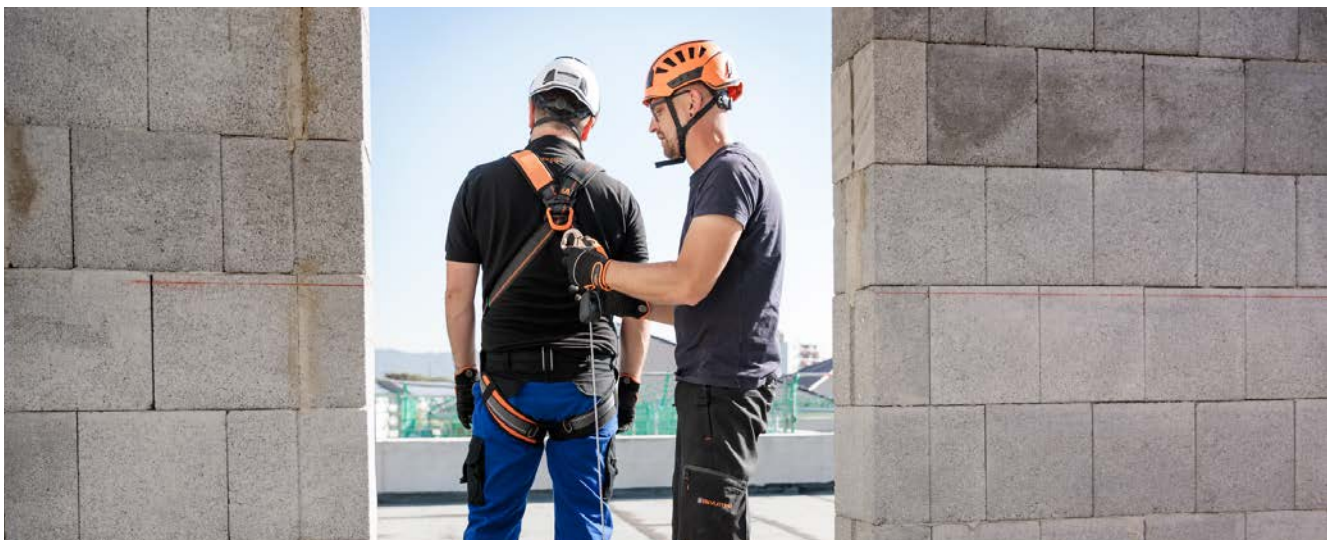
BL0144XXX

D9310261

## SINGLE LEG WEBBING LANYARDS

STANDARDS  
AS 1891.5

CODE	BRAND	LENGTH	ATTACHMENT HARDWARE	MATERIAL	USER MASS LIMITS	STOCK
BL01112HD	B-Safe	2m	Double Action Snap Hooks	Black Webbing	50kg - 140kg	<span style="color: green;">S</span>
BL01111.2HD	B-Safe	1.2m	Double Action Snap Hooks	Black Webbing	50kg - 140kg	<span style="color: orange;">M</span>
BL01111HD	B-Safe	1m	Double Action Snap Hooks	Black Webbing	50kg - 140kg	<span style="color: orange;">M</span>
BL01122HD	B-Safe	2m	Double Action Snap Hook and Scaffold Hook	Black Webbing	50kg - 140kg	<span style="color: green;">S</span>
BL01332HD	B-Safe	2m	Double Action Karabiner	Black Webbing	50kg - 140kg	<span style="color: orange;">M</span>
BL01442HD	B-Safe	2m	Triple Action Karabiner	Black Webbing	50kg - 140kg	<span style="color: orange;">M</span>
D9310261	3M	2m	Snap Hooks	Webbing	50kg - 160kg	<span style="color: green;">S</span>



HEIGHT SAFETY

LANYARDS

6



BL0422XXX



BL04322HD  
BL044221.5HD



BL044442HD



3MZ12200909

## TWIN LEG WEBBING LANYARDS

STANDARDS  
AS 1891.5

CODE	BRAND	LENGTH	ATTACHMENT HARDWARE	MATERIAL	USER MASS LIMITS	STOCK
BL04221.5HD	B-Safe	1.5m	Scaffold Hooks and Snap Hook	Black Webbing	50kg - 140kg	M
BL04222HD	B-Safe	2m	Scaffold Hooks and Snap Hook	Black Webbing	50kg - 140kg	M
BL04322HDA	B-Safe	2m	Double Action Karabiner and Scaffold Hooks	Black Webbing	50kg - 140kg	M
BL044221.5HD	B-Safe	1.5m	Double Action Karabiner and Scaffold Hooks	Black Webbing	50kg - 140kg	M
BL044442HD	B-Safe	2m	Double Action Karabiners	Black Webbing	50kg - 140kg	M
3MZ12200909	3M	2m	Snap Hooks	Webbing	50kg - 160kg	S



BL0211XX



BL0212XXX



BL0233XXX



3MZ10200909R



SKL-AUS

## SINGLE LEG ROPE LANYARDS

STANDARDS  
AS 1891.5

CODE	BRAND	LENGTH	ATTACHMENT HARDWARE	MATERIAL	USER MASS LIMITS	STOCK
BL02112HD	B-Safe	2m	Snap Hooks	Kernmantle Rope	50kg - 140kg	M
BL02122HD	B-Safe	2m	Snap Hook and Scaffold Hook	Kernmantle Rope	50kg - 140kg	M
BL02332HD	B-Safe	2m	Double Action Karabiner	Kernmantle Rope	50kg - 140kg	M
3MZ10200909R	3M	2m	Double Action Snap Hooks	Kernmantle Rope	50kg - 160kg	M
SKL-AUS-0089-1.5	Skylotec	1.5m	Steel Snap Hooks	Kernmantle Rope	50kg - 130kg	M
SKL-AUS-0078-2	Skylotec	2m	Triple Action Snap Hooks	Kernmantle Rope	50kg - 130kg	M



# LANYARDS



BL023332HDA



BL021222HD



3MZ12202519R



SKL-AUS-0199-1.5

## TWIN LEG ROPE LANYARDS

STANDARDS  
AS 1891.5

CODE	BRANDS	LENGTH	ATTACHMENT HARDWARE	MATERIAL	USER MASS LIMITS	STOCK
BL023332HDA	B-Safe	2m	Aluminium Double Action Karabiners	Kernmantle Rope	50kg - 140kg	M
BL021222HD	B-Safe	2m	Snap Hook and Scaffold Hooks	Kernmantle Rope	50kg - 140kg	M
3MZ12202519R	3M	2m	Double Action Snap Hook and Scaffold Hooks	Kernmantle Rope	50kg - 160kg	S
SKL-AUS-0199-1.5	Skylotec	1.5m	Double Action Snap Hook and Scaffold Hooks	Kernmantle Rope	50kg - 140kg	S

HEIGHT SAFETY



BL01122HD-ADJ



BL02302AHD-TC1



BL01112HD-ADJ



BL01442HD-ADJ



3MZ11206119R



D9310282



SKYL-AUS07001.8

## SINGLE LEG ADJUSTABLE LANYARDS

STANDARDS  
AS 1891.5

CODE	BRAND	LENGTH	ATTACHMENT HARDWARE	MATERIAL	USER MASS LIMITS	STOCK
BL01122HD-ADJ	B-Safe	850mm - 2m	Double Action Snap Hook and Scaffold Hook	Webbing	50kg - 140kg	S
BL02302AHD-TC1	B-Safe	700mm - 2m	Triple Action Karabiners	Kernmantle Rope	50kg - 140kg	M
BL01112HD-ADJ	B-Safe	850mm - 2m	Double Action Snap Hooks	Webbing	50kg - 140kg	M
BL01442HD-ADJ	B-Safe	850mm - 2m	Triple Action Karabiners	Webbing	50kg - 140kg	M
3MZ11206119R	3M	750mm - 2m	Double Action Snap Hook and Scaffold Hook	Webbing	50kg - 160kg	S
D9310282	3M	750mm - 2m	Double Action Snap Hooks	Webbing	50kg - 160kg	S
SKYL-AUS07001.8	Skylotec	1.2m - 1.8m	Steel Snap Hooks	Webbing	50kg - 130kg	S

LANYARDS

6



BL021222AHDA-1



BL023332HDA-TCA1



3MZ13206129R



SKL-AUS-0711-1.8



SKL-AUS-0642

## TWIN LEG ADJUSTABLE LANYARDS

STANDARDS  
AS 1891.5

CODE	BRAND	LENGTH	ATTACHMENT HARDWARE	MATERIAL	USER MASS LIMITS	STOCK
BL021222AHDA-1	B-Safe	700mm - 2m	Snap Hooks and Aluminium Scaffold Hooks	Kernmantle Rope	50kg - 140kg	M
BL023332HDA-TCA1	B-Safe	700mm - 2m	Triple Action Karabiners	Kernmantle Rope	50kg - 140kg	M
3MZ13206129R	3M	750mm - 2m	Aluminium Triple Action Karabiner and Aluminium Scaffold Hooks	Webbing	50kg - 160kg	S
SKL-AUS-0711-1.8	Skylotec	1.2m - 1.8m	Steel Snap Hook and Aluminium Scaffold Hooks	Webbing	50kg - 140kg	S
SKL-AUS-0642	Skylotec	1.2m - 1.8m	Trilock Hook and Scaffold Hooks	Webbing	50kg - 140kg	S



BL0311XXX



BL03332HDA



## WIRE ROPE LANYARDS

STANDARDS  
AS 1891.5

CODE	BRAND	LENGTH	ATTACHMENT HARDWARE	MATERIAL	USER MASS LIMITS	STOCK
BL03112HD	B-Safe	2m	Snap Hooks	Wire Rope	50kg - 140kg	M
BL03332HDA	B-Safe	2m	Karabiner Twist Lock	Wire Rope	50kg - 140kg	M



# ELASTICISED LANYARDS



BL0711XXX



BL07122HD



BL0766XXX



BL07332HD-TC

## SINGLE LEG ELASTICISED LANYARDS

STANDARDS  
AS 1891.5

CODE	BRAND	LENGTH	ATTACHMENT HARDWARE	MATERIAL	USER MASS LIMITS	STOCK
BL07111HD	B-Safe	1m	Snap Hooks	Elasticised Webbing	50kg - 140kg	M
BL07112HDA	B-Safe	2m	Snap Hooks	Elasticised Webbing	50kg - 140kg	M
BL07122HD	B-Safe	2m	Snap Hook and Aluminium Scaffold Hook	Elasticised Webbing	50kg - 140kg	M
BL07661.4HD	B-Safe	1.4m	Snap Hooks	Elasticised Webbing	50kg - 140kg	M
BL07662HD	B-Safe	2m	Snap Hooks	Elasticised Webbing	50kg - 140kg	M
BL07332HD-TC	B-Safe	2m	Triple Action Karabiner	Elasticised Webbing	50kg - 140kg	M



3MZ11206119R



SKL-AUS-0543-2



SKL-AUS0590-1.8



SKL-AUS-0588-1.8

## SINGLE LEG ELASTICISED LANYARDS

STANDARDS  
AS 1891.5

CODE	BRAND	LENGTH	ATTACHMENT HARDWARE	MATERIAL	USER MASS LIMITS	STOCK
D9310276	3M	2m	Snap Hook and Scaffold Hook	Elasticated webbing	50kg - 160kg	S
SKL-AUS-0543-2	Skylotec	2m	Double Action Snap Hooks	Elasticated webbing	50kg - 130kg	S
SKL-AUS0590-1.8	Skylotec	2m	Snap Hooks	Elasticated webbing	50kg - 140kg	S
SKL-AUS-0588-1.8	Skylotec	1.8m	Triple Action Karabiners	Elasticated webbing	50kg - 140kg	S



BL071112HD



BL07XXX



BL073222HD-TC

## TWIN LEG ELASTICISED LANYARDS

STANDARDS  
AS 1891.5

CODE	BRAND	LENGTH	ATTACHMENT HARDWARE	MATERIAL	USER MASS LIMITS	STOCK
BL071112HD	B-Safe	2m	Snap Hooks	Elasticised Webbing	50kg - 140kg	M
BL07222HD	B-Safe	2m	Snap Hook and Scaffold Hooks	Elasticised Webbing	50kg - 140kg	M
BL073222HD-TC	B-Safe	2m	Triple Action Karabiner and Scaffold Hooks	Elasticised Webbing	50kg - 140kg	M



Z60203634E



Z10202580E



SKL-AUS-0582-2



SKL-AUS-0595-1.8



SKL-AUS0590-1.8

## TWIN LEG ELASTICISED LANYARDS

STANDARDS  
AS 1891.5

CODE	BRAND	LENGTH	ATTACHMENT HARDWARE	MATERIAL	USER MASS LIMITS	STOCK
Z60203634E	3M	2m	Snap Hook and Scaffold Hooks	Elasticised Webbing	50kg - 160kg	S
Z10202580E	3M	2m	Snap Hook and Scaffold Hooks	Elasticised Webbing	50kg - 160kg	S
SKL-AUS-0582-2	Skylotec	2m	Snap Hook and Aluminium Scaffold Hooks	Elasticised Webbing	50kg - 130kg	S
SKL-AUS-0595-1.8	Skylotec	1.8m	Snap Hook and Scaffold Hooks	Elasticised Webbing	50kg - 140kg	S
SKL-AUS0590-1.8	Skylotec	1.8m	Triple Action Karabiner and Aluminium Scaffold Hooks	Elasticised Webbing	50kg - 140kg	S



# HOT WORKS LANYARDS



BL01662kHD



D9310302



3MAE529Y/5W

## HOT WORKS SPECIALTY LANYARDS

STANDARDS  
AS 1891.5

CODE	BRAND	LENGTH	ATTACHMENT HARDWARE	MATERIAL	USER MASS LIMITS	STOCK
BL01662kHD	B-Safe	2m	Double Action Karabiners	45Mm Heracron / Meta Aramid	50kg - 140kg	M
D9310302	3M	2m	Snap Hooks	Nomex / Kevlar Fibre Webbing	50kg - 160kg	S
3MAE529Y/5W	3M	2m	Snap Hook and Scaffold Hooks	Kevlar Fibre Webbing	50kg - 160kg	S

HEIGHT SAFETY



HOT WORKS LANYARDS

9



BL01000HD



BL01000HD-TC



BL00160



BL00160-TC

## SHOCK ABSORBER PACKS

STANDARDS  
AS 1891.5

CODE	LENGTH	ATTACHMENT HARDWARE	MATERIAL	USER MASS LIMITS	STOCK
BL01000HD	380mm	N/A	Webbing	50kg - 140kg	M
BL01000HD-TC	280mm	Triple Action Karabiners	Webbing	50kg - 140kg	M
BL00160	250mm	V Ladder System Personal Shock Absorber ONLY	Webbing	50kg - 100kg	M
BL00160-TC	250mm	V Ladder System Personal Shock Absorber ONLY Triple Action Karabiners	Webbing	50kg - 100kg	M



SKL-AUS-0005-AT



SKL-AUS-0005-KOB

## SHOCK ABSORBER PACKS

STANDARDS  
AS 1891.5

CODE	LENGTH	ATTACHMENT HARDWARE	CAPACITY	MATERIAL	USER MASS LIMITS	STOCK
SKL-AUS-0005-AT	300mm	Aluminium Double Action Karabiner	140kg	Webbing	50kg - 130kg	S
SKL-AUS-0005-KOB	300mm	Steel Double Action Karabiner	140kg	Webbing	50kg - 130kg	S



# POLE STRAPS



BP0211XXX



AF725AU



SKL-AUS-0670-2

## POLE STRAPS

STANDARDS  
AS 1891.5

CODE	BRAND	LENGTH	ATTACHMENT HARDWARE	CAPACITY	MATERIAL	STOCK
BP02111.5	B-Safe	1.5m	Snap Hooks	1 Person	Webbing	M
BP02112	B-Safe	2m	Snap Hooks	1 Person	Webbing	S
BP02112.5	B-Safe	2.5m	Snap Hooks	1 Person	Webbing	S
BP02113	B-Safe	3m	Snap Hooks	1 Person	Webbing	M
BP02113.5	B-Safe	3.5m	Snap Hooks	1 Person	Webbing	M
AF725AU	3M	2.5m	Snap Hooks	1 Person	Webbing	S
SKL-AUS-0670-2	Skylootec	2m	Snap Hooks Triple Action	1 Person	Kernmantle Rope	S

HEIGHT SAFETY



POLE STRAPS

9



BL0533XXX    BMIC02-130AT    3101339    3M3101342    3M-3101709    D9310651    3M-3101719

## RETRACTABLE LANYARDS

STANDARDS  
EN 360 & AS/NZS 1891.3

CODE	BRAND	LENGTH	ATTACHMENT HARDWARE	CAPACITY	MATERIAL	STOCK
BL05332.5	B-Safe	2.5m	Double Action Karabiners	100kg	Webbing	S
BMIC02-130AT	B-Safe	2m	Triple Action Karabiners	140kg	Webbing	S
BL05332HD	B-Safe	2m	Double Action Karabiners	100kg	Webbing	M
BL05332.5TC	B-Safe	2.5m	Triple Action Karabiners	100kg	Webbing	M
3101339	3M	1.8m	Steel Triple Action Karabiners	140kg	Webbing	S
3M3101342	3M	1.8m	Triple Action Karabiner and Self Locking Scaffold Hook	140kg	Webbing	S
3M-3101709	3M	1.8m	Triple Action Karabiner and Self Locking Scaffold Hook	140kg	Webbing	S
D9310651	3M	1.8m	Aluminium Self Locking Scaffold Hooks	140kg	Webbing	S
3M-3101719	3M	1.8m	Triple Action Karabiner and Self Locking Scaffold Hook	140kg	Webbing	S





# INERTIA REELS



## ARRESTO INERTIA REEL - CABLE

### FEATURES AND BENEFITS

- High impact resistant & durable polymer casing
- Swivel anchorage top & bottom with fall indicator
- ANSI compliant swivel snap hook 16kN gate strength
- Serviceable

STANDARDS  
EN 360 AS 1891.3

CODE	CAPACITY	LENGTH	STOCK
BPSSW05(SE)	140kg	5m	<span style="color: green;">S</span>
BPSSW10(SE) - Built In Shock Absorber	140kg	10m	<span style="color: green;">S</span>
BPSSW15	140kg	15m	<span style="color: green;">S</span>
BPSSW20	140kg	20m	<span style="color: green;">S</span>
BPSSW30	140kg	30m	<span style="color: green;">S</span>



## REBEL SELF RETRACTING LIFELINE - CABLE

### FEATURES AND BENEFITS

- Rugged, lightweight thermoplastic housing
- Stackable housing design
- Built-in carrying handle
- 6m of 5mm galvanised steel cable lifeline
- Swivelling self-locking snap hook with impact indicator
- 190kg x 6m

STANDARDS  
EN 360 AS 1891.3

CODE	CAPACITY	LENGTH	STOCK
3M3590520	190kg	6m	<span style="color: green;">S</span>
3M3590521	190kg	10m	<span style="color: green;">S</span>
3M3590690	190kg	30m	<span style="color: green;">S</span>

HEIGHT SAFETY



## SEALED-BLOK SELF-RETRACTING LIFELINE - CABLE

### FEATURES AND BENEFITS

- Pivoting anchorage loop
- Sealed design (meets ip68 rating)
- 15m of 5mm galvanised steel cable lifeline
- Fast-line™ lifeline system
- Impact indicator
- Tripod / davit arm bracket option
- 190kg x 15m

STANDARDS  
EN 360 AS 1891.3

CODE	CAPACITY	LENGTH	STOCK
3M3400951	190kg	10m	<span style="color: green;">S</span>



## RAPTOR C6 RETRACTABLE FALL ARRESTER - CABLE

### FEATURES AND BENEFITS

- Fall indicators
- Modular construction
- 140kg x 6m cable galvanised steel cable
- Energy-absorbing inlet damper
- Up to an angle of 45° working
- Double action snap hook

STANDARDS  
EN 360 AS 1891.3

CODE	CAPACITY	LENGTH	STOCK
SKHSG-042-6	140kg	6m	<span style="color: green;">S</span>
SKHSG-042-10	140kg	10m	<span style="color: green;">S</span>
SKHSG-042-20	140kg	20m	<span style="color: green;">S</span>

INERTIA REELS

6



## ARRESTO INERTIA REEL - WEBBING

### FEATURES AND BENEFITS

- High impact resistant & durable polymer casing
- Swivel anchorage top and bottom with fall indicator
- ANSI compliant swivel snap hook 16kN gate strength
- Serviceable

STANDARDS  
EN 360 AS 1891.3

CODE	CAPACITY	LENGTH	STOCK
BPWSW3.5(SE)	140kg	3.5m	<span style="color: green;">S</span>
BPWSW7.5(SE) - Built In Shock Absorber	140kg	7.5m	<span style="color: green;">S</span>
BPWSW12	140kg	12m	<span style="color: green;">S</span>



## REBEL SELF-RETRACTING LIFELINE - WEBBING

### FEATURES AND BENEFITS

- Swivelling anchorage loop with karabiner
- 3.3m of 25mm polyester web lifeline
- Self-locking steel snap hook on lifeline
- Compact, lightweight design
- High capacity external energy absorber with impact indicator

STANDARDS  
EN 360 AS 1891.3

CODE	CAPACITY	LENGTH	STOCK
D9320600	140kg	3.3m	<span style="color: green;">S</span>
3M-3101719	140kg	6m	<span style="color: green;">S</span>



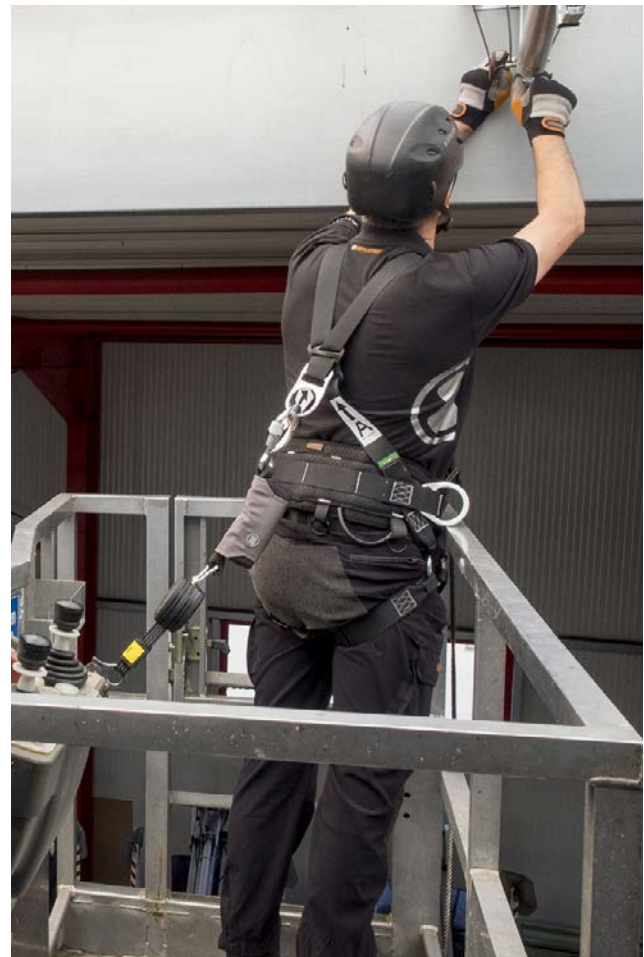
## RAPTOR RETRACTABLE FALL ARRESTER - WEBBING

### FEATURES AND BENEFITS

- Fall indicators
- Modular construction
- 6m x 25mm band webbing
- Energy-absorbing inlet damper
- Working angle up to 45°
- Triple action karabiner

STANDARDS  
EN 360 AS 1891.3

CODE	CAPACITY	LENGTH	STOCK
SKHSG-040-6	140kg	6m	<span style="color: green;">S</span>
SKHSG-040-8	140kg	8m	<span style="color: green;">S</span>





# INERTIA REELS



## RETRACTABLE FALL ARRESTER LIFT FUNCTION - CABLE

### FEATURES AND BENEFITS

- Fall indicators
- Modular construction
- Single person
- Includes mounting bracket
- Triple action karabiner
- Compatible with jackpod davit & Skylotec tripod range

STANDARDS  
EN 360 AS 1891.3

CODE	CAPACITY	LENGTH	STOCK
SKHSG-004-15-JP	140kg	15m	S



## ARRESTO RECOVERY INERTIA REEL - CABLE

### FEATURES AND BENEFITS

- High impact resistant & durable polymer casing
- Swivel anchorage top and bottom with fall indicator
- ANSI compliant swivel snap hook 16kN gate strength
- Recovery winch compatible

STANDARDS  
EN 360 AS 1891.3

CODE	CAPACITY	LENGTH	STOCK
BPCGS10R	140kg	10m	S
BPCGS20R	140kg	20m	S
BPCGS25R	140kg	25m	S

HEIGHT SAFETY



## REBEL SELF RETRACTING LIFELINE RETRIEVAL - CABLE

### FEATURES AND BENEFITS

- 3-way emergency retrieval system
- Stowable retrieval handle
- Rugged aluminium housing
- Built-in carrying handle
- 5mm galvanised steel cable lifeline
- Swivelling self-locking snap hook with impact indicator

STANDARDS  
EN 360 AS 1891.3

CODE	CAPACITY	LENGTH	STOCK
3591002	140kg	15m	S



## SEALED-BLO SELF RETRACTING LIFELINE - CABLE

### FEATURES AND BENEFITS

- Environmentally sealed dynamic components
- Extremely durable construction
- 40m of 5mm galvanised steel cable lifeline
- Fast-line™ lifeline system
- Anti-ratcheting locking system
- Built-in carrying handle

STANDARDS  
EN 360 AS 1891.3

CODE	CAPACITY	LENGTH	STOCK
D9310495	140kg	40m	M

INERTIA REELS

6





# DESCENDERS



## EMERGENCY DESCENDER ONLY - SINGLE PERSON

### FEATURES AND BENEFITS

- Innovative design & corrosion-resistant
- Resistant to moisture, heat, cold
- Descent speed is approximately 0.9m / sec
- Compact, stable size
- Extremely low equipment weight
- Smooth rope operation

STANDARDS  
EN 341/1A or 1B; EN 1496/A ANSI/ASSE Z359.4

CODE	CAPACITY	LENGTH	STOCK
BF42-ABS3AW-15	140kg	15m	S
BF42-ABS3AW-20	140kg	20m	S
BF42-ABS3AW-60	140kg	60m	S



## EMERGENCY DESCENDER WITH RE-WIND HANDLE - SINGLE PERSON

### FEATURES AND BENEFITS

- Innovative design & corrosion-resistant
- Resistant to moisture, heat, cold
- Descent speed is approximately 0.9m / sec
- Compact, stable size
- Extremely low equipment weight
- Smooth rope operation
- With rescue hoisting handle

STANDARDS  
EN 341/1A or 1B; EN 1496/A ANSI/ASSE Z359.4

CODE	CAPACITY	LENGTH	STOCK
BF42-ABS3AWH-15	140kg	15m	S
BF42-ABS3AWH-30	140kg	30m	S
BF42-ABS3AWH-60	140kg	60m	S

HEIGHT SAFETY



## BOXED FRICTION DESCENDER AND ROPE

### FEATURES AND BENEFITS

- Simple to operate
- Controlled low speed descent
- Rated for single person for self rescue (stretcher can be used)
- Weather protected in plastic UV resistant box
- Unit supplied for 15m
- Dry static 11mm kernmantle rope

STANDARDS  
EN 341/1A or 1B; EN 1496/A ANSI/ASSE Z359.4

CODE	CAPACITY	LENGTH	STOCK
BFMRD815	1 Person	15m	M
BFMRD820	1 Person	20m	M
BFMRD835	1 Person	35m	M



## SELF RESCUE DESCENDER

### FEATURES AND BENEFITS

- Universal harness attachment
- EZ-Link™ D-ring for fast connections
- 50 ft / 15.2m rope
- Assisted-rescue ring for incapacitated user
- Sealed descent device & rope spool extends longevity
- Molded padding provides durability & comfort
- Lightweight, low profile design

STANDARDS  
3rd Party Certified with ANSI Z359.4

CODE	CAPACITY	LENGTH	STOCK
3M3320030	141kg	15m	S
3M3320031	141kg	30m	S

DESCENDERS

9



### DESCENDER RESCUE MILAN 2.0

FEATURES AND BENEFITS

- RESCUE DEVICE DRIVER (RDD)
- All manual options for rescue & evacuation
- Rescue lifting device to be operated electrically with RDD
- Extended lifespan of up to 15 years

STANDARDS  
ANSI Z359.4, MEETS CSA Z259.2.3-1B

CODE	CAPACITY	LENGTH	STOCK
SSKYL-A029	260kg		<span style="background-color: green; color: white; padding: 2px;">S</span>



### RESCUE DEVICE DRIVER TO MILAN 2.0

FEATURES AND BENEFITS

- Rescue device driver (RDD)
- Specially modified battery-operated driver for the Milan 2.0 Power
- Powered by a li-ion battery
- Cover ascents of up to 60m carrying 100kg
- For rescue situations
- Weights of up to 280 kilograms can be lifted
- Supplied Milan 2.0 Power battery

CODE	LENGTH	STOCK
SSKYL-A030-G	60m	<span style="background-color: green; color: white; padding: 2px;">S</span>



### DESCENDER MILAN SEAL PAC 250M

FEATURES AND BENEFITS

- Simplified with the SEAL PAC
- Specially padded & sealed aluminium box
- SEAL PAC has a 15 years lifespan

STANDARDS  
ANSI Z359.4, MEETS CSA Z259.2.3-1B

CODE	LENGTH	STOCK
SKPAC-250	250m	<span style="background-color: green; color: white; padding: 2px;">S</span>





# ROPE RECOVERY



## RESCUE SYSTEM AUTO BRAKE 4:1

### FEATURES AND BENEFITS

- Fall arrest recovery system
- Unique inertia locking device
- 4:1 ratio raising & lowering device
- Safe working load: 375kg
- 60m rope = working length of 15m
- Can be operated by the person on the system or by a secondary person

### STANDARDS

100% visual and working inspection  
All raw materials conform to relevant safety standards  
ISO 9002 Quality Control System Features

CODE	CAPACITY	LENGTH	STOCK
BR02055	375kg	15m	M



BSR0011B



BSR0015



BSM0012  
BSM0013-GRAB



BSM0016

## KERNMANTLE ROPE AND ROPE GRABS

CODE	CAPACITY	MATERIAL	CAPACITY	STOCK
BSR0011B	Kernmantle Rope 11mm	Black / Yellow	30kN	S
BSR0015	Kernmantle Rope 13mm	Orange / Black	45kN	S
BSM0012	Manual Rope Grab 11mm	Steel	15kN	S
BSM0013-GRAB	Manual Rope Grab 13mm	Steel	15kN	S
BSM0016	Rope Grabs Auto 16mm	Steel	15kN	S

HEIGHT SAFETY



## RESCUE SYSTEM GORDON PULLEY KIT 5:1 45M

### FEATURES AND BENEFITS

- Self-locking pulley system
- 1:5 configuration
- Includes the Gordon Rescue fall arrester device
- Super Static 10.5 static rope

CODE	CAPACITY	LENGTH	STOCK
SKSET402-5-100	140kg	45m	S



SKH-067



SKH-068

## ROPE PULLY

STANDARDS  
EN 12278 and UIAA 127

CODE	DESCRIPTION	MATERIAL	CAPACITY	STOCK
SKH-067	Rope Pulley Single	Aluminium	2kN	S
SKH-068	Rope Pulley Double	Aluminium	2kN	S

ROPE RECOVERY

6





ALL-SIDE ATTACHMENT POINT

B-Safe

B-Safe  
Full Body Safety Harness  
Type 1  
EN 361  
EN 12444  
EN 12445  
EN 12446  
EN 12447  
EN 12448  
EN 12449  
EN 12450  
EN 12451  
EN 12452  
EN 12453  
EN 12454  
EN 12455  
EN 12456  
EN 12457  
EN 12458  
EN 12459  
EN 12460  
EN 12461  
EN 12462  
EN 12463  
EN 12464  
EN 12465  
EN 12466  
EN 12467  
EN 12468  
EN 12469  
EN 12470  
EN 12471  
EN 12472  
EN 12473  
EN 12474  
EN 12475  
EN 12476  
EN 12477  
EN 12478  
EN 12479  
EN 12480  
EN 12481  
EN 12482  
EN 12483  
EN 12484  
EN 12485  
EN 12486  
EN 12487  
EN 12488  
EN 12489  
EN 12490  
EN 12491  
EN 12492  
EN 12493  
EN 12494  
EN 12495  
EN 12496  
EN 12497  
EN 12498  
EN 12499  
EN 12500



Approved by



# RESCUE / CONFINED SPACE KITS



## TRIPOD KIT - ROPE SYSTEM

### FEATURES AND BENEFITS

#### Kit Components:

- TRP05A2-Confined Space Tripod Mk2
- TRP05A2BAG-Tripod Bag
- BSK0003-16-Steel Karabiner Twist Lock x 5
- BH02020-QB-Full Body Harness
- BR05110-Spreader Frame B-Safe
- BR02055-Rescue System B-Safe Auto
- BH01120-Harness B-Safe Full Body
- BL05332.5-Lanyard Web Retractable
- BA0351-B-Safe Equipment Bag

CODE	CAPACITY	STOCK
TRP05A2B	1 Person	M



## ADVANCED TRIPOD KIT - RECOVERY WINCH SYSTEM

### FEATURES AND BENEFITS

#### Kit Components:

- TRP05A2-Confined Space Tripod Mk2
- BSK0003-16-Steel Karabiner Twist Lock x 6
- BH02020QB-EVOLVE-Harness B-Safe Evolve
- BR05110-Spreader Frame B-Safe
- BCS0000-A-Bracket B-Safe
- BPCGS20R-Retrieval Block Arresto Cable 20m
- TRP05A2BKT-A-Bracket B-Safe Mk2 Tripod
- BH01121-Harness B-Safe Full Body
- BMIC02-130AT-Lanyard Web Retractable
- TRP05A2BAG-Tripod Bag

CODE	CAPACITY	STOCK
TRP05A2C	1 Person	M



## RESCUE KIT 12.5M

### FEATURES AND BENEFITS

#### Kit Components:

- Designed to rescue suspended casualty
- Casualty can be raised or lowered
- Adaptable for different heights
- 4:1 pulley system
- Back up braking mechanism
- Heavy duty bag
- Rescue Pole

CODE	CAPACITY	STOCK
BR661(4:1)	1 Person	M





## GOTCHA RESCUE KIT WITH 50M ROPE

### FEATURES AND BENEFITS

- Upper & lower pulleys
- Gotcha™ Frog
- Attachment pole
- Rope controller
- Australian Standards rescue rope
- Rope Grabba (for inertia reels)
- Attachment sling
- Karabiners
- Back pack gear bag

CODE	CAPACITY	STOCK
D9330520	140kg	<span style="color: green;">S</span>



## CONFINED SPACE TRIPOD MK2

### FEATURES AND BENEFITS

- Single mono U bolt anchorage rated for 2 persons (21kN)
- Heavy duty cast aluminium head with diversion wheels
- Legs with multiple holes & retaining pins
- Cast aluminium feet with ribbed rubber grip

**STANDARDS**  
Tested to requirements of AS/NZS5532

CODE	CAPACITY	STOCK
TRP05A2	750kg	<span style="color: green;">S</span>



## PERSONAL & MATERIAL WINCH

### FEATURES AND BENEFITS

- Suitable for both personal or material rescue / retrieval independent reel mode for quick installation
- Secondary braking system reducing dynamic load in the event of a fall
- Mounting bracket included (TRP05A2BKT-A bracket needed for tripod use)
- Galvanised steel
- Swivel snap hooks
- Handle rotating mechanism for lifting & lowering

**STANDARDS**  
Meets EN 1496 2017 Class B

CODE	CAPACITY	STOCK
BPN818(20)	135kg Personal 250kg Material	<span style="color: green;">S</span>



TRP05A2BAG

## TRIPOD ACCESSORIES

CODE	CAPACITY	STOCK
BCS0000-A	Tripod Bracket For Connecting Arresto Inertia Reels	<span style="color: green;">S</span>
TRP05A2BKT-A	Tripod Pinned Bracket For Connecting Arresto Inertia Reels	<span style="color: green;">S</span>
TRP05A2BAG	Heavy Duty Fully Enclosed Tripod Bag	<span style="color: green;">S</span>
BR05110	Spreader Bar With Double Action Steel Hooks	<span style="color: green;">S</span>



# ANCHORS



## QUICK REMOVAL FASTENING ANCHOR

### FEATURES AND BENEFITS

- Single permanent anchor
- Stainless steel
- Pre-drilled hole for easy installation
- Suitable for metal construction, rope access & rigging

STANDARDS  
EN 795-A/B:201

CODE	CAPACITY	STOCK
SKAP-018	250kg	S



## MOUNTING SLEEVE TO HOLD MOBILFIX

### FEATURES AND BENEFITS

- Mounted Sleeve for Mobilfix

STANDARDS  
EN 795-A

CODE	CAPACITY	STOCK
SKAP-018-T2	N/A	S





**WELD ON ANCHOR**

**FEATURES AND BENEFITS**

- Offers a full WLL at all angles
- Extremely high strength attachment as an anchor
- Easily welded into required position
- Functional compact design
- Test Certificate available

CODE	CAPACITY	STOCK
BSC5024	15kN (1 Person)	<span style="background-color: green; color: white; padding: 2px;">S</span>
BSC5026	21kN (2 Person)	<span style="background-color: green; color: white; padding: 2px;">S</span>



**STAINLESS STEEL WELD-ON / BOLT-ON ANCHOR PLATE**

**FEATURES AND BENEFITS**

- Bolt or weld to structure for fall arrest anchor point
- Compact 6.35 x 50 x 115mm 304 stainless steel plate
- Pre-drilled 14mm holes
- Zinc plated steel D-ring for compatible tie-off point
- High strength steel construction
- Extremely rugged & corrosion resistant

**STANDARDS**  
ANSI Z359.18  
AS/NZS 5532

CODE	CAPACITY	STOCK
3M2101630	22kN	<span style="background-color: green; color: white; padding: 2px;">S</span>



**CONCRETE SWIVEL ANCHOR**

**FEATURES AND BENEFITS**

- Safe hook-up indicator
- Compact & lightweight design
- High strength steel & aluminium construction
- Rugged & corrosion resistant materials
- Swivelling D-ring tie-off point

**STANDARDS**  
ANSI Z359.18  
AS/NZS 5532

CODE	CAPACITY	STOCK
3M2104560	22kN	<span style="background-color: green; color: white; padding: 2px;">S</span>



# ANCHORS



## 500MM TETHER PLATE METAL CLAD / TILED ROOFS

### FEATURES AND BENEFITS

- Suitable for metal & tiled roofs
- 360° working area
- Continuous travel restraint protection

CODE	CAPACITY	STOCK
TP3002	15kN (1 Person)	<span style="color: green;">S</span>



## LOW PROFILE ANCHOR BOLT TRIMDEK ROOFING

### FEATURES AND BENEFITS

- 316 Grade stainless steel
- 16mm thread
- Base designed to fit Trimdek roofing
- Eye size suitable for all types of equipment

STANDARDS  
AS/NZS 5532  
Test in accordance to 15kN Load

CODE	ROOF PROFILE	CAPACITY	STOCK
BSC5006MRLP-L	Trimdek	15kN (1 Person)	<span style="color: green;">S</span>
BSC5006OLP-L	Custom Orb (Corrugated)	15kN (1 Person)	<span style="color: green;">S</span>
BSC5006LSLP-L	Low Profile Spandek	15kN (1 Person)	<span style="color: green;">S</span>



## T-BAR TEMPORARY ROOF ANCHOR

### FEATURES AND BENEFITS

- Secure anchorage point for metal roofing
- Safety line & harness you can connect quickly & easily
- Continuous travel restraint protection
- Screws down to roof for extra stability
- T-Bar suitable for those small to medium roof jobs

CODE	CAPACITY	STOCK
BSL5000	15kN (1 Person)	<span style="color: green;">S</span>



## DOOR JAM ANCHOR

### FEATURES AND BENEFITS

- Installs into 546 - 1308mm door / window jambs
- Non-penetrating design eliminates site damage
- Portable & reusable
- Compact & lightweight aluminium design
- Built-in adjustment knob & telescoping design
- Rugged & corrosion resistant materials
- Integrated D-ring tie-off point

STANDARDS  
ANSI Z359.1

CODE	CAPACITY	STOCK
D9311005	22kN	<span style="color: green;">S</span>



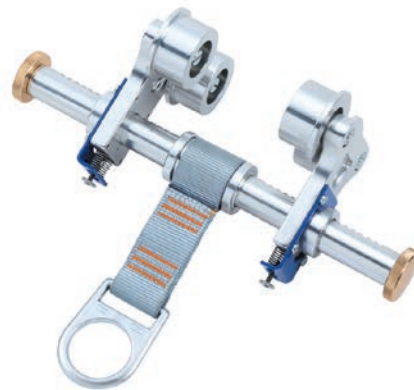
### SLIDING BEAM ANCHOR

**FEATURES AND BENEFITS**

- For use in horizontal applications
- Easily deployed on beam
- Incremental adjustments to suit beam widths
- Will slide along beam
- Multiple pin locations for easy adjustment

**STANDARDS**  
Complies with EN795:2013 & CE/89/66

CODE	CAPACITY	STOCK
BSM0035B	15kN	<span style="background-color: green; color: white; padding: 2px;">S</span>



### TROLLEY BEAM ANCHOR

**FEATURES AND BENEFITS**

- For use in horizontal applications
- Easily deployed on beam
- Incremental adjustments to suit beam widths
- Locking on notched location by simple spring loaded screw
- Rolls easily along beam
- Lightweight - 3.5kg
- Ideal for use with an inertial reel

**STANDARDS**  
100% visual inspection  
All raw materials conform to relevant safety standards  
Tested and passed 15kN load  
ISO 9002 Quality Control System  
Hardware batch tested

CODE	CAPACITY	STOCK
BSM0045	15kN	<span style="background-color: green; color: white; padding: 2px;">S</span>



### FIXED BEAM ANCHOR

**FEATURES AND BENEFITS**

- Installs onto 2-1/2 in. to 12 in. wide I-beam flange (6.3-30.5cm)
- Up to 1-1/2" thick (3.8cm)
- Attach in any orientation or direction
- Compact & lightweight design
- High strength steel & aluminium construction
- Extremely rugged & corrosion resistant

**STANDARDS**  
ANSI Z359.18 Type A  
Meets the performance requirements of AS/NZS 5532

CODE	CAPACITY	STOCK
D9310995	15kN	<span style="background-color: green; color: white; padding: 2px;">S</span>





# HORIZONTAL SAFETY LINE



## TEMPORARY HORIZONTAL ROPE SAFETY LINE KIT WITH TENSION INDICATOR

### FEATURES AND BENEFITS

- Portable temporary horizontal lifeline
- Tensioner indicator
- Allows freedom of movement
- Designed for a maximum of two persons
- Simple & easy to install fall arrest protection
- Ideal for situations permanent anchorage is not required
- Installation takes about 3-5 minutes

### STANDARDS

100% visual inspection  
Individual components batch tested to destruction

CODE	CAPACITY	LENGTH	STOCK
BK030020	2 Person	20m	M
BK030030	2 Person	30m	M
BK030040	2 Person	40m	M
BK030050	2 Person	50m	M



## TEMPORARY HORIZONTAL WEB SAFETY LINE 18M

### FEATURES AND BENEFITS

- Portable static line system 18m
- Allows freedom of movement
- Designed for a maximum of one persons
- Simple & easy to install fall arrest protection
- Ideal for situations which do not justify a permanent safety system
- Built in carry bag

### STANDARDS

100% visual inspection  
Individual components batch tested to destruction

CODE	CAPACITY	STOCK
BK040020	1 Person	M
BK0400120 - Includes 2 straps, 2 Karabiners	1 Person	M

HEIGHT SAFETY



## TEMPORARY HORIZONTAL CABLE SAFETY LINE 18M

### FEATURES AND BENEFITS

- Durable high strength polymer housing
- HCS is easy to install, remove & store
- Easily transported – lightweight
- Inbuilt winch for easy retraction – fast & simple dismantle
- Unique internal shock absorption mechanism ensuring impact forces during fall arrest are minimised
- Integrated handle molded into casing makes unit easy for carrying

### STANDARDS

EN795 Type C and TS 16415 Type C

CODE	CAPACITY	STOCK
BPN4001	2 Person	S



## PROTECTA PRO LINE TEMPORARY HORIZONTAL SYSTEM 18M

### FEATURES AND BENEFITS

- Complete 60 ft. (18.3m) system includes tensioner, energy absorber and anchors
- Lightweight 2" (50.8mm) web lifeline
- Two 6 ft. (1.8m) tie-off adaptor anchors included
- Extremely lightweight & portable design
- Built-in energy absorber limits fall arrest forces
- Integral ratchet tensioner for easy set-up
- Flexible system capacity of 2 workers

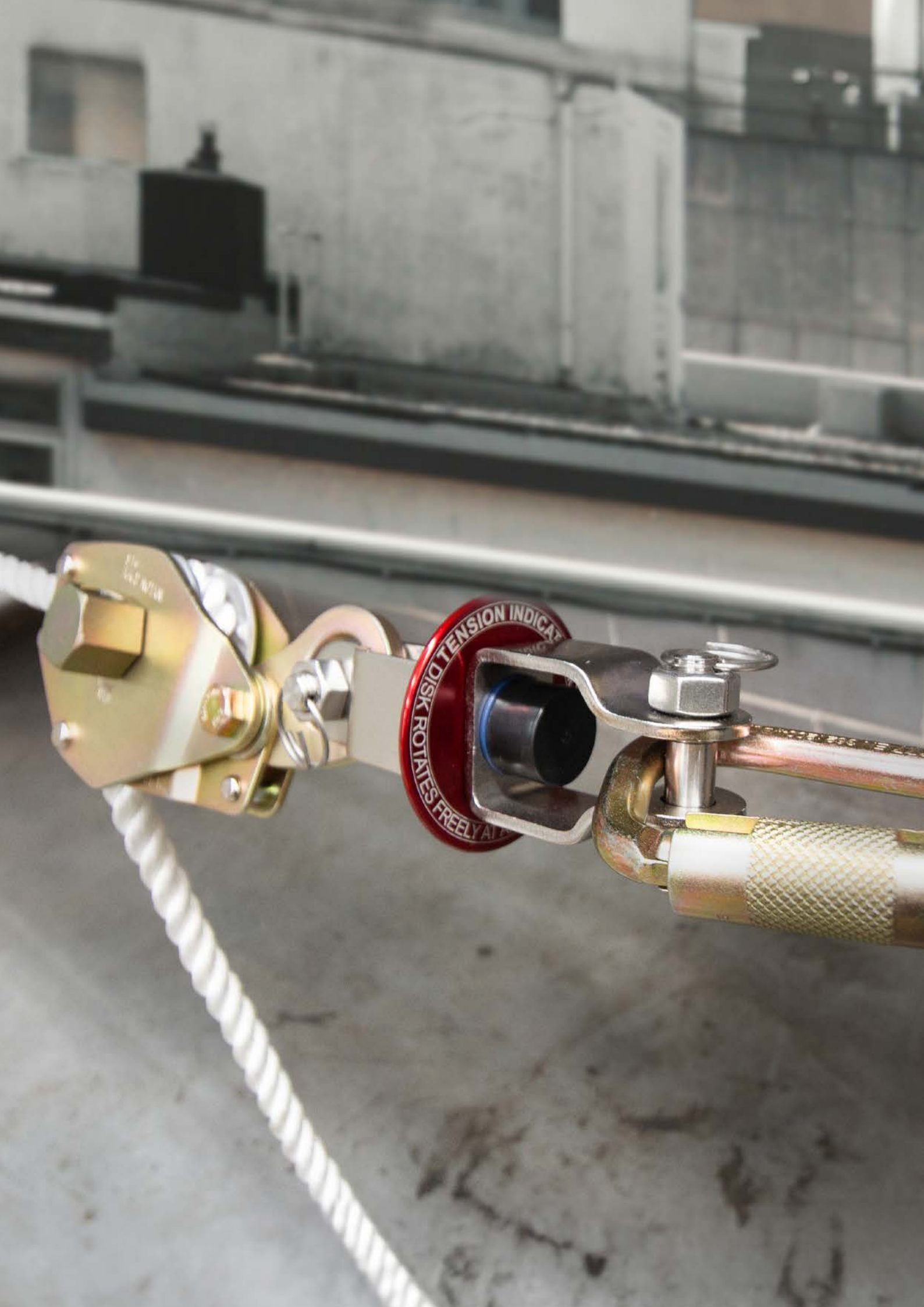
### STANDARDS

AS/NZS 1891.2

CODE	CAPACITY	STOCK
3M1200101	2 Person	M

HORIZONTAL SAFETY LINE

6





# HORIZONTAL SAFETY LINE



## 3M™ DBI-SALA® ENGINEERED SYSTEMS

3M horizontal systems provide a choice of fall protection solutions that allow users to most effectively resolve the risks associated with work at height in a wide range of applications, and comply with workplace safety regulations.

Contact us for more information or to speak with one of our Systems Specialists.

### ROOFSAFE™ CABLE SYSTEM

The system attaches to roof sheeting and can span up to 15m between supports to provide continuous hands-free access and protection.



### UNIRAIL™ SYSTEM

Can be fitted to a wide range of structures and can support multiple workers for both fall arrest and rope / suspended access applications.



### ROOFSAFE™ RAIL SYSTEM

The only direct to roof rail system that can facilitate changes in direction and roof slopes, ensuring continuous safe roof access for fall arrest and rope / suspended access applications.



### UNI-8™ / EVOLUTION™ SYSTEM

This system attaches to the structure and is well suited to modern building projects and a wide range of industrial safety applications.

Uni 8 Systems and evolution systems have been replaced by 3M™ Dbi-sala® 8 mm Permanent Horizontal Lifeline System Up to date images are required.

### THE UNI-8™ OVERHEAD SYSTEM

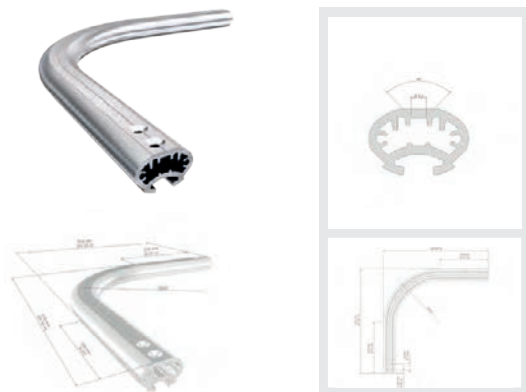
This quality safety solution can support heavy fall arrest and controlled rate descent devices, ensuring free and unhindered movement for the worker when carrying out work at height.

Uni 8 Systems and evolution systems have been replaced by 3M™ Dbi-sala® 8 mm Permanent Horizontal Lifeline System Up to date images are required.









## SKYRAIL CURVE HORIZONTAL 90°

### FEATURES AND BENEFITS

- The horizontal curve is available in different radii (standard radius 220mm)
- Design: Horizontale Kurve
- Material: AL

STANDARDS  
EN 795/D:2012 and CEN/TS 16415:2013

CODE	DIMENSIONS	STOCK
SR-102	518 x 518mm	<b>S</b>



## SKYRAIL OUTER CURVE 90°

### FEATURES AND BENEFITS

- The curve is available in different radii (standard radius 280mm)
- Design: Außenkurve
- Material: AL

STANDARDS  
EN 795/D:2012 and CEN/TS 16415:2013

CODE	DIMENSIONS	STOCK
SR-104	412 x 412mm	<b>S</b>



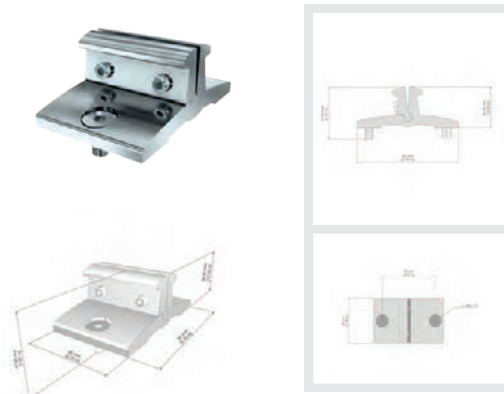
## SKYRAIL INNER CURVE 90°

### FEATURES AND BENEFITS

- Inside curve 90°
- The curve is available in different radii (standard radius 240mm)
- Design: Innenkurve
- Material: AL

STANDARDS  
EN 795/D:2012

CODE	DIMENSIONS	STOCK
SR-103	413 x 413mm	<b>S</b>



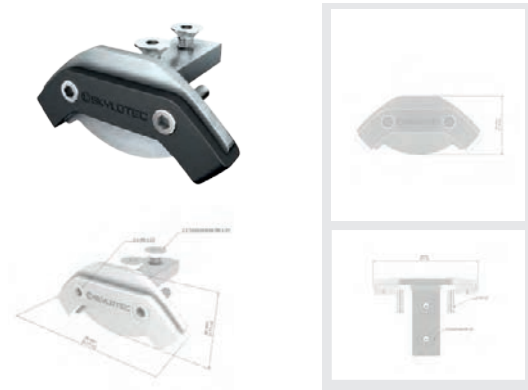
## SKYRAIL BRACKET

### FEATURES AND BENEFITS

- Used for mounting on concrete and steel
- Torx countersunk screws M8x16mm x2 are included
- Design: Bracket
- Material: AL

STANDARDS  
EN 795/D:2012 and CEN/TS 16415:2013

CODE	DIMENSIONS	STOCK
SR-105	94 x 48 x 60mm	<b>S</b>
SR-105-80	94 x 48 x 60mm	<b>S</b>



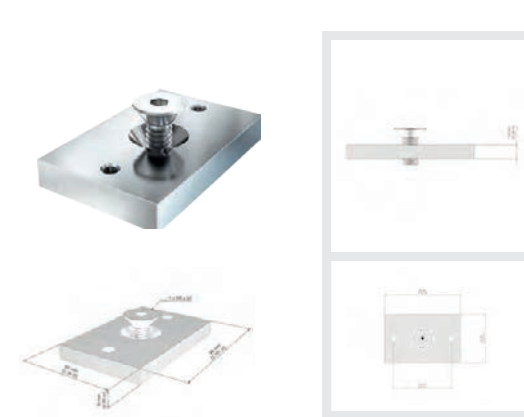
## SKYRAIL END-STOPPER

### FEATURES AND BENEFITS

- Prevents the slider from slipping out
- Self-tapping cylinder head screws M6 x 25mm are included in the scope of delivery
- A drilling template for making the holes is additionally available
- Material: Stainless steel V4A

STANDARDS  
EN 795/D:2012 and CEN/TS 16415:2013

CODE	DIMENSIONS	STOCK
SR-108	96 x 11 x 44mm	<b>S</b>



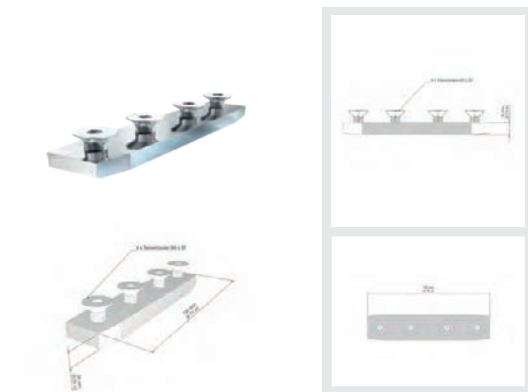
## SKYRAIL ADAPTER PLATE PIN

### FEATURES AND BENEFITS

- Used for mounting Skyrail on Skylotec system supports
- Material: Stainless steel V4A

STANDARDS  
EN 795/D:2012 and CEN/TS 16415:2013

CODE	DIMENSIONS	STOCK
SR-120	96 x 60 x 10mm	<b>S</b>
SR-120-80	96 x 60 x 10mm	<b>S</b>



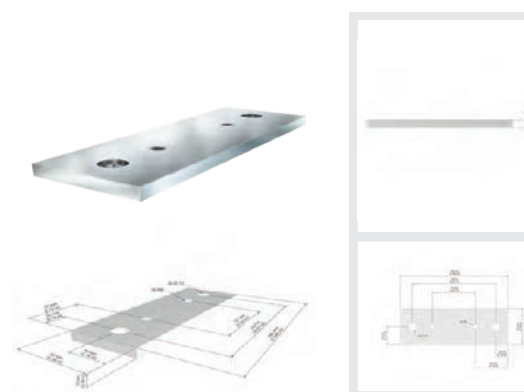
## SKYRAIL RAIL CONNECTOR

### FEATURES AND BENEFITS

- Used to connect individual rail pcs.e.
- Torx countersunk screws M6x20mm x 4 are included in the scope of delivery
- Easy to assemble, as rail connector is fixed
- Material: Stainless steel V4A

STANDARDS  
EN 795/D:2012 and CEN/TS 16415:2013

CODE	DIMENSIONS	STOCK
SR-109	120 x 25 x 20mm	<b>S</b>



## SKYRAIL ADAPTER PLATE CONCRETE

### FEATURES AND BENEFITS

- Used to connect individual rail pcs.e.
- Torx countersunk screws M6x20mm x 4 are included in the scope of delivery
- Easy to assemble, as rail connector is fixed
- Material: Stainless steel V4A

STANDARDS  
EN 795/D:2012 and CEN/TS 16415:2013

CODE	DIMENSIONS	STOCK
SR-121	180 x 60 x 10mm	<b>S</b>
SR-121-80	180 x 60 x 10mm	<b>S</b>



# CLAWLINE

## SAFEGUARDED DOWN TO THE SMALLEST DETAIL

Do you use a permanent fall protection system that has been installed for a long time for your maintenance and servicing work? Then bring your fall protection up to the latest state of the art with Claw Line.

## OVER 300 DIFFERENT CONSTRUCTION VARIANTS

The vertical steel rope fall arrester system can be attached in no time at all to existing devices, regardless of the manufacturer - directly on the ladder as required. Existing upper and lower anchor points can also be used freely and combined with each other as required. This results in more than 300 different attachment variants.

This means that you can adapt the system individually and flexibly to any place of use - and also take it there. The individual components are packed in a space-saving way, are easy to transport and can be quickly assembled on site.

## CERTIFIED FOR 8 TO 10MM STAINLESS STEEL ROPES

The Claw Line is certified according to EN 353-1:2014 + A1:2017 and is supplied with a stainless steel rope of 8 or 10mm diameter. The rest of the system is also made of V4A stainless steel and is therefore extremely durable. Particularly practical: easily traversable intermediate anchors fix the rope and prevent disturbing deflections. This increases climbing comfort and user safety.

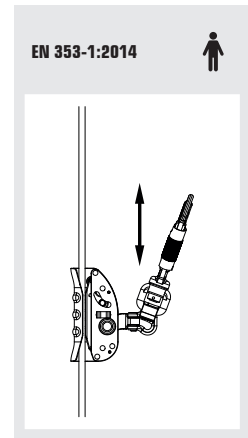
## CERTIFIED FOR 8 TO 10MM STAINLESS STEEL ROPES

Speaking of user safety: With the Claw steel rope runner, we have further increased risk protection for you. The runner is secured several times with an actively unlocking locking bolt to prevent it from being put on and taken off incorrectly. In addition, the brake shoe opens with a slight pull on the karabiner.

In the event of a possible slip or fall, the karabiner swings down in a flash and stops the fall. A strap fall absorber reduces the impact force to well below the permissible 6kN.

Even more advantageous:

- Body Harnesses
- Shock Absorbing Lanyards
- Anchors
- Fall Rescue
- Education



## CLAW

### FEATURES AND BENEFITS

Made of **high-quality stainless steel**, the Claw steel rope runner is suitable for vertical access to higher or lower workplaces on arrester systems with 8-10mm stainless steel ropes. It is characterised by its excellent longevity, which allows **fatigue-free ascent and descent**.

The lanyard has a **sophisticated 3-fold safety device**: the double internal mechanical lock prevents incorrect setting, the external mechanical lock only allows opening with both hands. In addition, a skull and crossbones symbol warns the user if the rope is put on incorrectly.

If the climber slips or falls, Claw locks immediately and the **strap energy absorber reduces the forces**. Can be used for the maintenance of wind turbines, buildings, masts or in manholes.

STANDARDS  
EN 353-1:2014+A1:2017, ANSI Z359.16:2016, ANSI/ASSE A14.3-08, CSA Z259.2.5-17, OSHA

CODE	DIMENSIONS	WEIGHT	CAPACITY	STOCK
CL-001	102 x 40 x 260mm	1.08kg	50 - 150kg	S



## VERTICAL SAFETY LINE ROPE. SINGLE END SNAP HOOK

### FEATURES AND BENEFITS

- 11mm kernmantle rope to AS/NZS4142.3:1993
- Snap hook on one end
- Designed for a maximum of one person

### STANDARDS

100% visual inspection  
Individual components batch tested to destruction

CODE	LENGTH	CAPACITY	STOCK
BS010105	5m	1 Person	M
BS010110	10m	1 Person	M
BS010115	15m	1 Person	M
BS010120	20m	1 Person	M
BS010125	25m	1 Person	M
BS010130	30m	1 Person	M
BS010140	40m	1 Person	M
BS010150	50m	1 Person	M



## VERTICAL SAFETY LINE WITH SNAP HOOK AND MANUAL GRAB

### FEATURES AND BENEFITS

- Portable temporary vertical lifeline 11mm
- Suitable for ladders, towers & roof work
- Designed for a maximum of one person.
- Simple and easy to install limited free fall arrest protection
- Ideal for situations which do not require a permanent system
- Use in conjunction full body harnesses
- Installation takes about 3-5 minutes

### STANDARDS

100% visual inspection  
Individual components batch tested to destruction

CODE	LENGTH	CAPACITY	STOCK
BS010105A	5m	1 Person	M
BS010110A	10m	1 Person	M
BS010115A	15m	1 Person	M
BS010120A	20m	1 Person	M
BS010125A	25m	1 Person	M
BS010130A	30m	1 Person	M
BS010140A	40m	1 Person	M
BS010150A	50m	1 Person	M



## VERTICAL KERNMANTLE SAFETY LINE WITH STEEL ROPE GRAB

### FEATURES AND BENEFITS

- Portable temporary vertical lifeline 13mm
- Suitable for ladders, towers & roof work
- Hi-vis fluoro rope
- Simple & easy to install limited free fall arrest protection
- Ideal for situations which do not require a permanent system
- Use in conjunction with a full body harnesses
- Installation takes about 3-5 minutes

### STANDARDS

100% visual inspection  
Individual components batch tested to destruction

CODE	LENGTH	CAPACITY	STOCK
BS0-05M-SLINE	5m	1 Person	M
BS0-10M-SLINE	10m	1 Person	M
BS0-15M-SLINE	15m	1 Person	M
BS0-20M-SLINE	20m	1 Person	M



## VERTICAL ROPE SAFETY LINE SAFETY LINE

### FEATURES AND BENEFITS

- Extremely light fall-arrest device
- Moveable guidance made of steel & aluminium
- Core-sheathed rope absorbs the energy

### STANDARDS

EN 353-2

CODE	LENGTH	CAPACITY	STOCK
SSKYL-L020010	10m	100kg	S
SSKYL-L020015	15m	100kg	S
SSKYL-L020020	20m	100kg	S



# STRAPS & TIE OFF ADAPTERS



## TIE OFF ADAPTERS

### FEATURES AND BENEFITS

- Interlocking small & large D-rings allows use almost anywhere
- 75mm wide sacrificial wear pad
- Rated to 22kN
- Easy to use
- Available in multiple lengths

### STANDARDS

100% visual inspection  
All raw materials conform to relevant safety standards  
ISO 9002 Quality Control System  
Batch tested

CODE	LENGTH	CAPACITY	STOCK
BP03001	1m	22kN	M
BP03001.5	1.5m	22kN	M
BP03002	2m	22kN	M



## ATTACHMENT STRAPS

### FEATURES AND BENEFITS

- 25mm Super tape web round & snake sling for attachment of height safety equipment
- Various lengths & styles for any attachment application

### STANDARDS

100% visual inspection  
All raw materials conform to relevant safety standards  
ISO 9002 Quality Control System  
Attachment Straps batch tested to destruction

CODE	LENGTH	CAPACITY	STOCK
BP03101	1m	22kN	S
BP03101.5	1.5m	22kN	S

HEIGHT SAFETY



## ANCHORAGE SLINGS

### FEATURES AND BENEFITS

- 0.6m -1.8m webbing
- Compact & lightweight design
- Durable polyester construction
- Easy to install & use
- 26kN

### STANDARDS

EN 354:2010 (MAX. 2m), EN 566:2017, EN 795-B:2012

CODE	LENGTH	CAPACITY	STOCK
SKL-0008-0.6	0.6m	26kN	S
SKL-0008-0.8	0.8m	26kN	S
SKL-0008-1	1m	26kN	S
SKL-0008-1.8	1.8m	26kN	S



## ANCHOR STRAPS

### FEATURES AND BENEFITS

- Compact & lightweight design
- Easy to install & use
- Portable & lightweight

CODE	LENGTH	CAPACITY	STOCK
3M1003581	1m	24kN	S
3M1003582	1.5m	24kN	S
3M1003585	2m	24kN	S
D9310760	1m	15kN	S
D9310731	2m	15kN	S

STRAPS & TIE OFF ADAPTERS



BSK0003-16  
BSK0002TC-16



BSK0003A-16  
BSK0002TCA-16



BSK0006



BSK0004

## KARABINERS

STANDARDS  
EN 362 ANSI Z359.12

CODE	DESCRIPTION	MATERIAL	GATE OPENING	CAPACITY	STOCK
BSK0003-16	Karabiner Double Action Captive Pin Steel	Steel	22mm	40kN	<span style="color: green;">S</span>
BSK0002TC-16	Karabiner Triple Action Captive Pin Steel	Steel	22mm	40kN	<span style="color: green;">S</span>
BSK0003A-16	Karabiner Double Action Captive Pin Aluminium	Aluminium	27mm	25kN	<span style="color: green;">S</span>
BSK0002ATC-16	Karabiner Triple Action Captive Pin Aluminium	Aluminium	27mm	25kN	<span style="color: green;">S</span>
BSK0006	Karabiner Triple Action Steel	Steel (Chrome Finish)	26mm	22kN	<span style="color: green;">S</span>
BSK0004	Karabiner Triple Action Captive Pin Steel	Steel	27mm	22kN	<span style="color: green;">S</span>



D9310820



3M2000114

## KARABINERS

STANDARDS  
EN 362 ANSI Z359.12

CODE	DESCRIPTION	MATERIAL	GATE OPENING	CAPACITY	STOCK
D9310820	Karabiner Screw Gate Steel	Steel	18mm	22kN	<span style="color: green;">S</span>
3M2000114	Karabiner Hook Saflok	Steel	55mm	22kN	<span style="color: green;">S</span>



# ATTACHMENT HARDWARE



SKYL-H051



SKH-037



SKH-103



SKH-137-TW



SKH-137-TRI

## KARABINERS

STANDARDS  
EN 362 ANSI Z359.12

CODE	DESCRIPTION	MATERIAL	GATE OPENING	CAPACITY	STOCK
SKYL-H051	Karabiner OVAL Triple Action	Steel	21mm	30kN	<span style="color: green;">S</span>
SKH-037	Karabiner OVAL Screw Gate	Steel	17mm	25kN	<span style="color: green;">S</span>
SKH-103	Karabiner Eye Double Action	Steel	22mm	45kN	<span style="color: green;">S</span>
SKH-137-TW	Karabiner Twist Lock Aluminium	Aluminium	30mm	22kN	<span style="color: green;">S</span>
SKH-137-TRI	Karabiner Triple Action Aluminium	Aluminium	30mm	22kN	<span style="color: green;">S</span>



BSM0007-16



BSM0007A-16



BSM0008A-16



BSM0008-16



BSK0021



BSK0015



BFK08

## SNAP HOOKS

STANDARDS  
EN 362 ANSI Z359.12

CODE	DESCRIPTION	MATERIAL	GATE OPENING	CAPACITY	STOCK
BSM0007-16	Snap Hook Double Action Steel	Steel	21mm	23kN	<span style="color: green;">S</span>
BSM0007A-16	Snap Hook Double Action Aluminium	Aluminium	20mm	23kN	<span style="color: green;">S</span>
BSM0008A-16	Scaffold Hook Double Action Aluminium	Aluminium	63.5mm	23kN	<span style="color: green;">S</span>
BSM0008-16	Scaffold Hook Double Action Steel	Steel	63.5mm	25kN	<span style="color: green;">S</span>
BSK0021	Karabiner Hook Swivel Steel Triple Action	Steel	22mm	22kN	<span style="color: green;">S</span>
BSK0015	Scaffold Karabiner Double Action	Steel	50mm	22kN	<span style="color: green;">S</span>
BFK08	Manulink Hook Single Point	Stainless Steel	140mm	22kN	<span style="color: green;">S</span>



## WATER BOTTLE / CANISTER BOTTLE TRAP

### FEATURES AND BENEFITS

- Neoprene primary material
- Stainless steel belt clip
- Zinc-plated cast D-ring
- Adjustable buckle closure for security
- Fits standard 0.5l water bottles

### STANDARDS

TESTED & APPROVED – ANSI/ISEA 121-2018 compliant

CODE	CAPACITY	STOCK
ER19775	N/A	<span style="background-color: green; color: white; padding: 2px;">S</span>



## POWER TOOL TETHERING KIT 2.7KG

### FEATURES AND BENEFITS

- Tether one standard cordless power tool
- Power tool trap (large)
- Tool lanyard single karabiner

### STANDARDS

MEETS ANSI/ISEA 121-2021

CODE	CAPACITY	STOCK
ER19661	2.7kg	<span style="background-color: green; color: white; padding: 2px;">S</span>



## TAPE MEASURE TRAP

### FEATURES AND BENEFITS

- Polyester main material
- Hook & loop straps secure tape measure inside trap for safe & easy tethering
- Nickel plated belt clip
- Zinc-plated cast alloy D-Ring
- Third party tested using a 2:1 safety factor

### STANDARDS

TESTED & APPROVED – ANSI/ISEA 121-2018 compliant

CODE	CAPACITY	STOCK
ER19770	0.9kg	<span style="background-color: green; color: white; padding: 2px;">S</span>





# TOOL STRAPS



ER19701



ER19755

## WEB TOOL TAIL 6-PACK VARIETY AND SELF-ADHERING TAPE TRAP

### FEATURES AND BENEFITS

- Third party tested using a 2:1 safety factor

### STANDARDS

Approved to the ANSI/ISEA 121-2018 Standard

CODE	DESCRIPTION	CAPACITY	STOCK
ER19701	Web Tool tail 6 Pack Variety	0.9kg	<span style="background-color: green; color: white; padding: 2px;">S</span>
ER19755	Self-Adhering Tape Trap	4.8kg	<span style="background-color: green; color: white; padding: 2px;">S</span>

HEIGHT SAFETY



## ELASTIC HAT LANYARD

### FEATURES AND BENEFITS

- Coil design: reduces lanyard length, prevents snag & tangle hazards
- Elastic design: comfortable high stretch elastic material
- Easy release clamp attaches securely to just about anything
- Comfortably attaches to hard hats & other head wear

### STANDARDS

Third-party certified to a 2:1 safety factor

CODE	CAPACITY	STOCK
ER19864	N/A	<span style="background-color: green; color: white; padding: 2px;">S</span>



ER19131



ER19301

## RETRACTABLE TOOL LANYARD AND COIL TOOL LANYARD

### STANDARDS

MEETS ANSI/ISEA 121-2018

CODE	DESCRIPTION	CAPACITY	STOCK
ER19301	Retractable Tool Lanyard	0.9kg	<span style="background-color: green; color: white; padding: 2px;">S</span>
ER19131	Coil Tool Lanyard	2.3kg	<span style="background-color: green; color: white; padding: 2px;">S</span>

TOOL STRAPS

6



ER19802

ER19808

ER19827

ER19864

ER19809

## TOOL LANYARD

STANDARDS  
MEETS ANSI/ISEA 121-2018

CODE	DESCRIPTION	CAPACITY	STOCK
ER19802	Tool Lanyard Single Karabiner	4.5kg	<span style="color: green;">S</span>
ER19808	Tool Lanyard Single Karabiner	6.8kg	<span style="color: green;">S</span>
ER19827	Tool Lanyard Dual Composite Locking Karabiner	4.5kg	<span style="color: green;">S</span>
ER19864	Tool Lanyard Single Karabiner Modular	2.3kg	<span style="color: green;">S</span>
ER19809	Tool Lanyard Single Swivelling Locking Karabiner	12kg	<span style="color: green;">S</span>



### TOOL LANYARD SINGLE KARABINER 6.8KG

#### FEATURES AND BENEFITS

- Flexible Elastic Webbing – Reduces snag hazards & tangles
- Locking Screw-Gate Aluminium Karabiner – For easy, secure attachment to tools
- Captive Eye Design – Better predicts direction of load on karabiner & prevents lanyard from sliding into karabiner gate
- Low-Profile Cinch Loop End – For easy tethering to small captive holes on tools
- Lanyard Length – 32-48in / 82-122cm

STANDARDS  
MEETS ANSI/ISEA 121-2018

CODE	MATERIAL	CAPACITY	STOCK
ER19005	Polyester	6.8kg	<span style="color: green;">S</span>



### TOOL LANYARD XL KARABINER + LOOP 36KG

#### FEATURES AND BENEFITS

- Made For Heavy Tools – Attach to the structure or job site being worked on instead of the worker
- Aluminium Heavy-Duty Double – Locking XI Karabiner – Easily attaches to big drills, heavy crowbars or handrails
- Treaded Loop End – Gripping material securely attaches to large tools
- Heavy-Gauge Nylon Stitching – Provides strength & durability
- Lanyard Dimensions – 93cm

STANDARDS  
MEETS ANSI/ISEA 121-2018

CODE	MATERIAL	CAPACITY	STOCK
ER19148	Polyester	36kg	<span style="color: green;">S</span>



# HOIST BUCKETS



## TOPPED PARTS POUCH 9KG

### FEATURES AND BENEFITS

- Waterproof tarpaulin material
- Trap door closure for safety & security
- Patented nickel-plated storm drain
- 2 exterior nickel-plated D-rings for tool lanyard attachment

### STANDARDS

Third-party certified to a 4:1 safety factor

## HOIST BUCKETS

### STANDARDS

Third-party certified to a 4:1 safety factor

CODE	DESCRIPTION	CAPACITY	STOCK
ER14440	Canvas And Leather Hoist Bucket 20oz	68kg	<span style="color: green;">S</span>
ER14960	Canvas And Leather Hoist Bucket 24oz	68kg	<span style="color: green;">S</span>

CODE	CAPACITY	STOCK
ER13638	9kg	<span style="color: green;">S</span>

HEIGHT SAFETY



HOISTBUCKETS

6



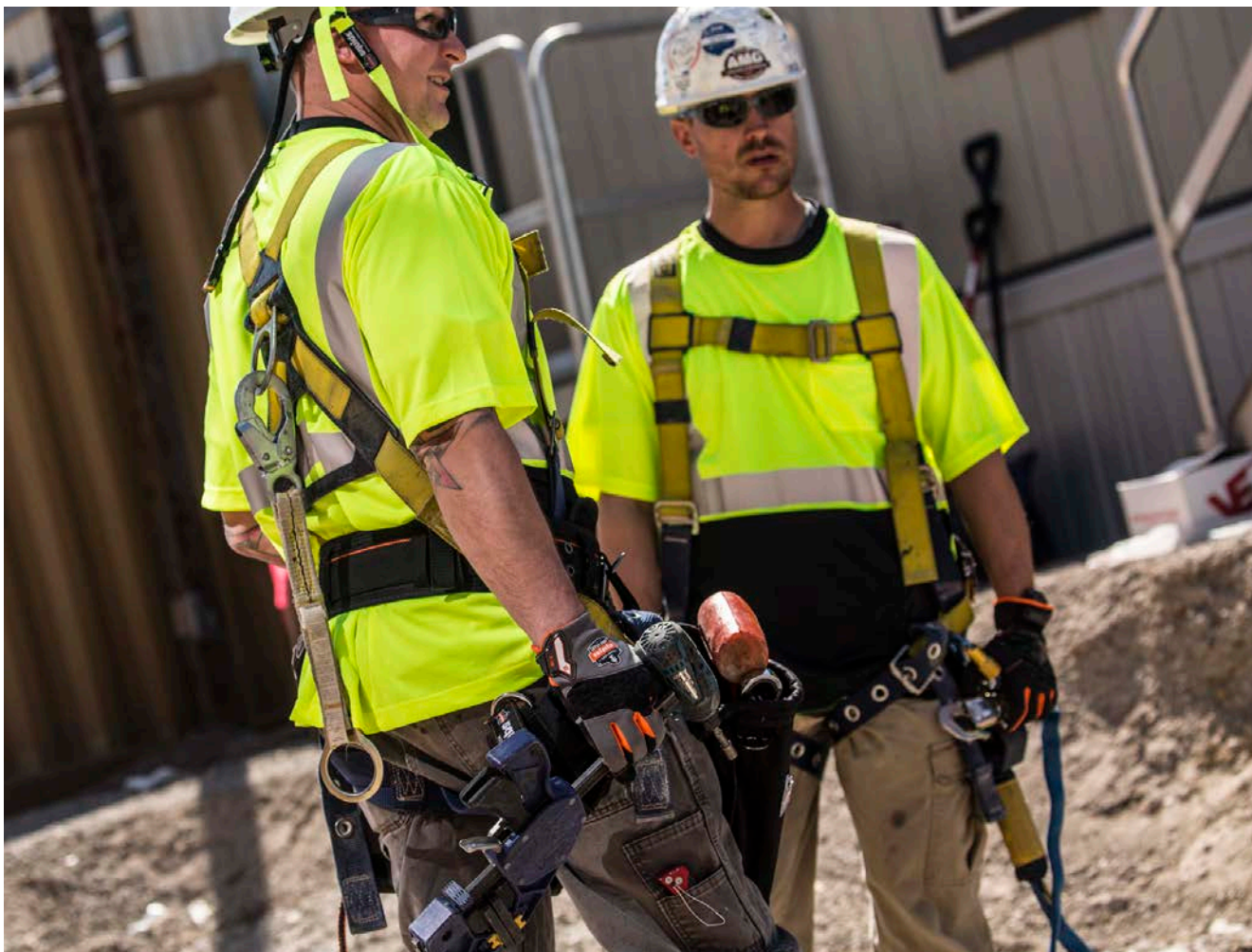


## WORK BELTS

### FEATURES AND BENEFITS

- 1680D ballistic polyester
- Thick, vented foam padding for comfort
- Nickel-plated 2in double tongue metal roller buckle
- Nickel-plated grommets set firmly for durability
- Nickel-plated suspender anchors

CODE	DESCRIPTION	MATERIAL	CAPACITY	STOCK
ER13657	Padded Base Layer Work Belt Arsenal Large Black	Polyester	L	<span style="color: green;">S</span>
ER13658	Padded Base Layer Work Belt Arsenal Extra Large Black	Polyester	XL	<span style="color: green;">S</span>
ER13659	Padded Base Layer Work Belt Arsenal Extra Extra Large Black	Polyester	XXL	<span style="color: green;">S</span>
ER13665	Tool Belt Suspenders Arsenal	Ballistic Polyester	XXL	<span style="color: green;">S</span>





FOR SAFE  
**WORKING  
LIVES**



**safety & lifting**

**Bunzl Safety & Lifting**

55 Sarah Andrews Close

Erskine Park NSW 2759

**1800 967 573**

[bunzlsafety.com.au](http://bunzlsafety.com.au)